

# INSTALLATION

UNIVERSAL INSERTION MOUNT INSTALLATION DOCUMENT PN: 930-0415

## □ INSTALLATION INSTRUCTIONS

### -U PROBE UNIVERSAL INSERTION MOUNT PROBE INSTALLATION



#### PROBE INSTALLATION

1. Refer to the engineer's drawing for the location where the universal airflow probes are to be installed.
2. Verify that the intended probe location will permit the interconnecting cables reach the transmitter.

#### CAUTION:

Handle the airflow probes carefully. Avoid contact with the glass bead thermistor sensors.  
The entire airflow probe including the mounting bracket and the cable must be installed in an area protected from exposure to direct rain and/or snow.

3. Refer to mechanical details of Figure 1 and typical applications of Figures 2 and 3.
4. As shown in Figures 2 and 3, mark a probe insertion line across the factory score line on each probe at the insertion point.
5. Prepare probe insertion hole at location(s) marked in step 3 using 0.875 inch (22.2 mm) hole saw. Slide probe(s) into the bracket, aligning the notch in the nylon bracket and the score line on the probe. Secure the probe at the mark (from step 4).
6. Slide the gasket seal down the probe to the bracket. Ensure that the edge of the mounting bracket is parallel to the edge of the duct, and that the airflow arrow printed on it is oriented in the same direction as duct/plenum airflow. Secure the probe mounting bracket to duct using suitable hardware.
7. Route the sensor probe cable to the transmitter location. This completes probe installation.

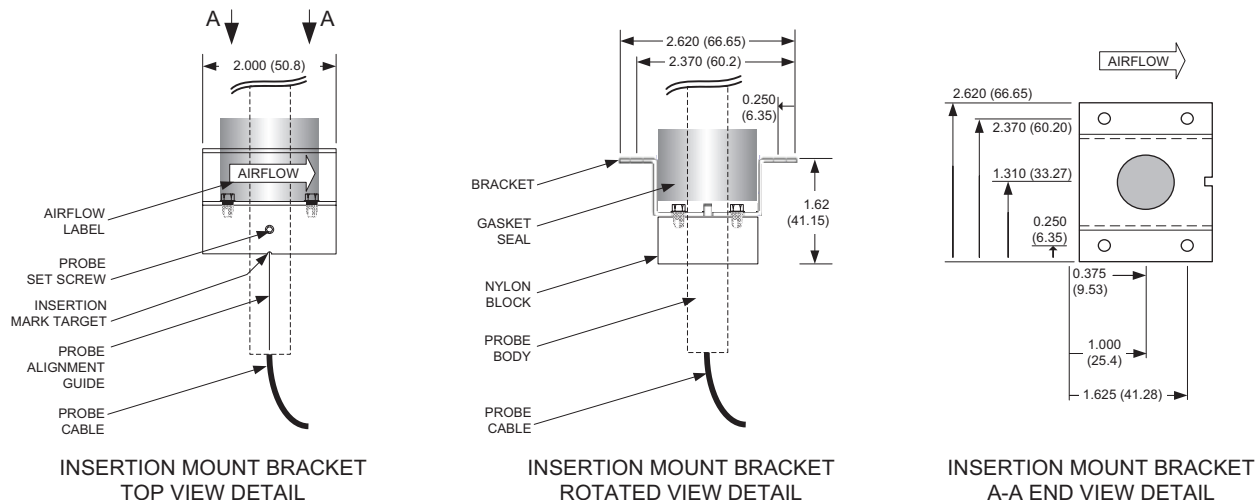


Figure 1. -U Universal Probe Mount Bracket Details

**-U PROBE, UNIVERSAL INSERTION MOUNT TYPICAL SINGLE PROBE APPLICATIONS**

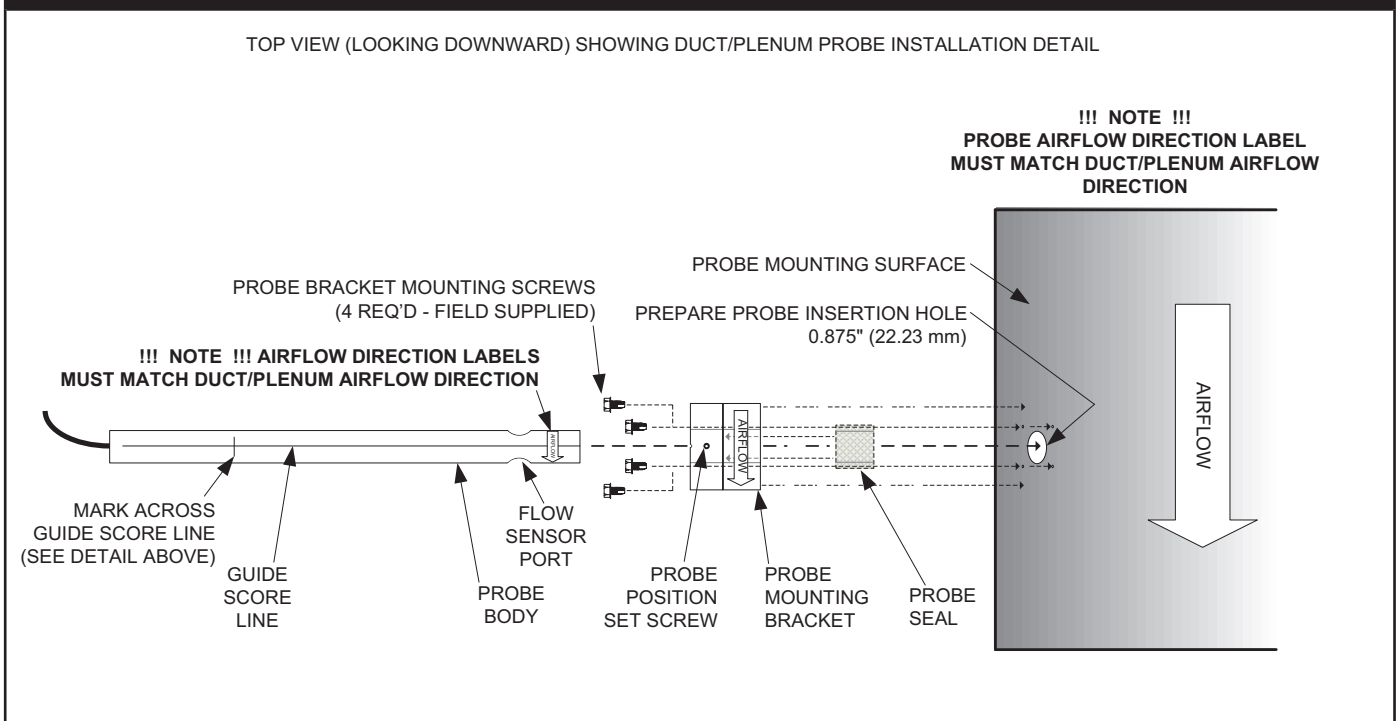


Figure 2. -U Probe, Universal Insertion Mount, Typical Single Probe Applications

**-U PROBE, UNIVERSAL INSERTION MOUNT TYPICAL DUAL PROBE APPLICATIONS**

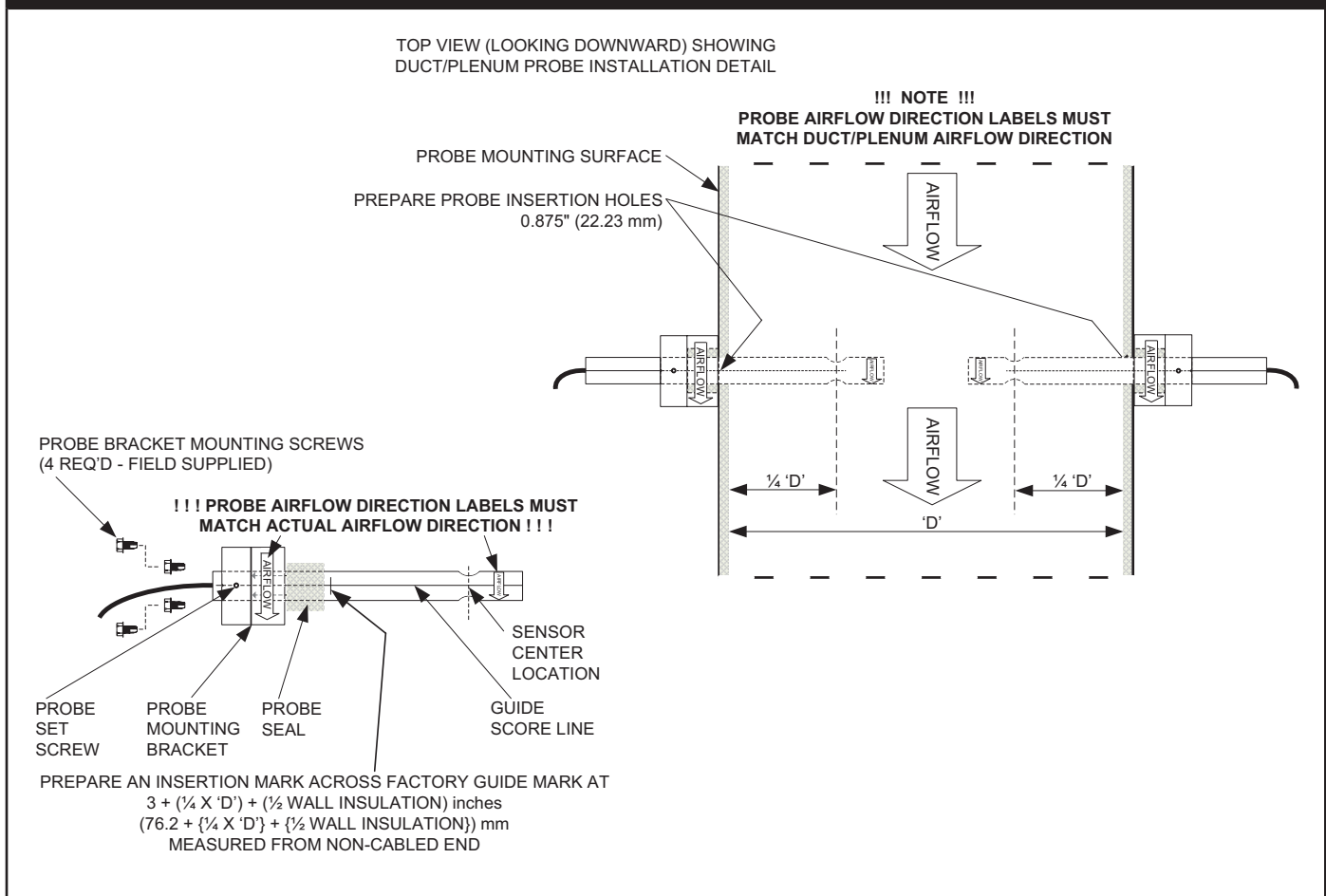


Figure 3. -U Probe, Universal Insertion Mount, Typical Dual Probe Applications