

HTx104 – Extension Cable Installation and Setup Procedure

OVERVIEW

The extension cables included in this package are for use only with **EBTRON** HTx104 transmitters. Extension cables allow for relocation of the transmitter or airflow probes at distances greater than the original cable length supplied. The following instructions ensure proper operation of the airflow station when adding extension cables.

Check-boxes are provided at each step to assist in verifying installation. While every effort has been made to simplify installation, it is recommended that these procedures be performed and verified by qualified personnel who are knowledgeable and experienced in the application and installation of HVAC airflow measurement devices. Refer any questions regarding installation and operation of the extension cables to your sales representative for resolution.

INSTALLATION

Proceed to install the extension cables as follows:

1. Unpack the extension cables and verify that the proper quantity and lengths ordered were received.

NOTE:

In order for the HTx104 air flow measurement station to operate properly, all probes connected to the transmitter must be provided with extension cables of the same length. When multiple probes are connected to the HTx104 transmitter, all probes **MUST** have extension cables. A single cable extension can only be used when only 1 probe is connected to the transmitter.

2. Locate the transmitter that is to have the extension cables added to.
3. Carefully slide the cover of the HTx104 transmitter upward to remove it from the instrument.

4. Set the POWER ON/OFF switch on the HTx104 main circuit board (Figure 1) to the OFF position.

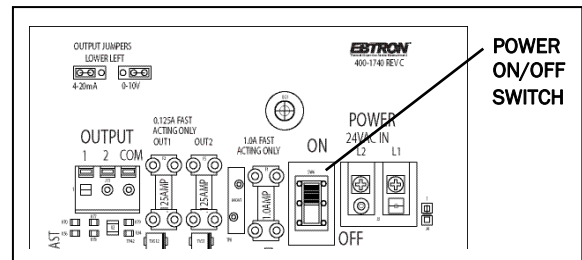


FIGURE 1. GTx116 MAIN CIRCUIT BOARD
POWER ON/OFF SWITCH

5. Using a marker, mark the position (1 to 4) of all of the **original cables** connected to the transmitter on each of the **original cables**.
6. As shown in Figure 2, remove the left-most cable connector by gently pulling the cable plug from transmitter. **Do not twist connector!**

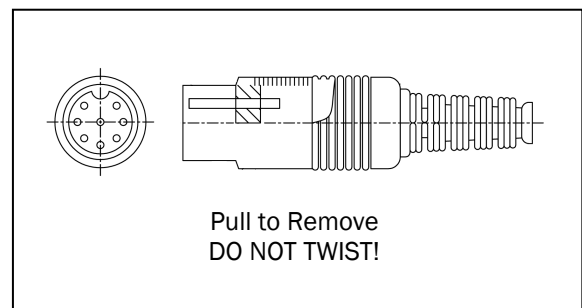


FIGURE 2. PROBE CABLE CONNECTOR REMOVAL

7. Connect one **extension cable** (male end - pins) to the **original cable**, and mark both ends of the **extension cable** with the same marking on the **original cable** (step 5).
8. Repeat steps 5 through 7 for all probe cables connected to the transmitter. Confirm that all **extension cables** are marked and connected to the same marked **original cables**.

9. Route the extension cables as necessary to the transmitter location.
10. Connect the extension cable marked for the left-most location on the transmitter to the left-most receptacle on the transmitter.
11. Repeat step 10 for all extension cables to be connected to the transmitter.
12. Set the HTx104 **POWER ON/OFF** switch to ON, and immediately depress both the **ENTER** and **ESC**ape keys within the first 10 seconds to enter the initialization menu as shown in Figures 3 and 4.
13. Navigate to the ***EXCABLE=** menu entry using the ↓ key.

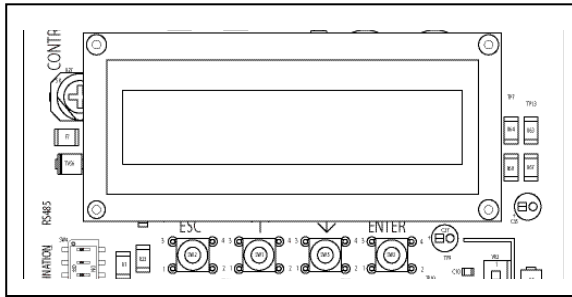


FIGURE 3. ESC, ↑ (UP), ↓ (DOWN), AND ENTER KEY DETAIL

14. Press the **ENTER** key, and when prompted with “**SET CABLE EXT?**”, press the **ENTER** key again.
15. The display will indicate the currently stored value “**EXCABLE= 0FT ↑ ↓**” (with no asterisk prefix). Use the ↑ and ↓ keys to set the displayed value to the extension cable length. **Enter the extension cable length only** – NOT the original or total cable length.
16. Press the **ENTER** key again to store the extension cable length. The display will confirm and indicate the stored value with an asterisk prefix: “***EXCABLE= xxFT**” where xx indicates the stored extension length value.
17. Depress the **ESC**ape key to restart the transmitter with the new cable value.
18. This completes extension cable installation and transmitter set up. The instrument may now be operated normally.

The **EBTRON** Customer Service center is available for assistance with service-related issues and support at no charge between the hours of 8:00 AM and 4:30 PM EST, Monday through Friday. Additional information is also available from your local **EBTRON** representative or 24 hours a day online at www.ebtron.com.

Press and release Enter and Escape during first 10 seconds of operation to select

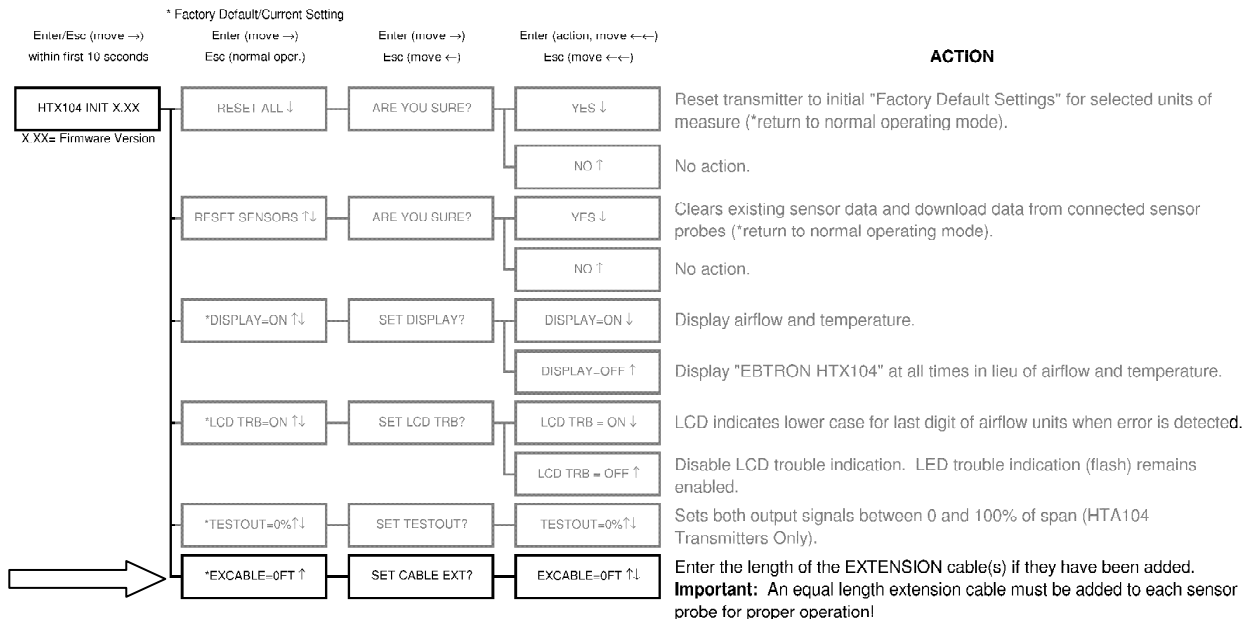


FIGURE 4. INITIALIZATION MENU HIGHLIGHTING *EXCABLE= DETAIL