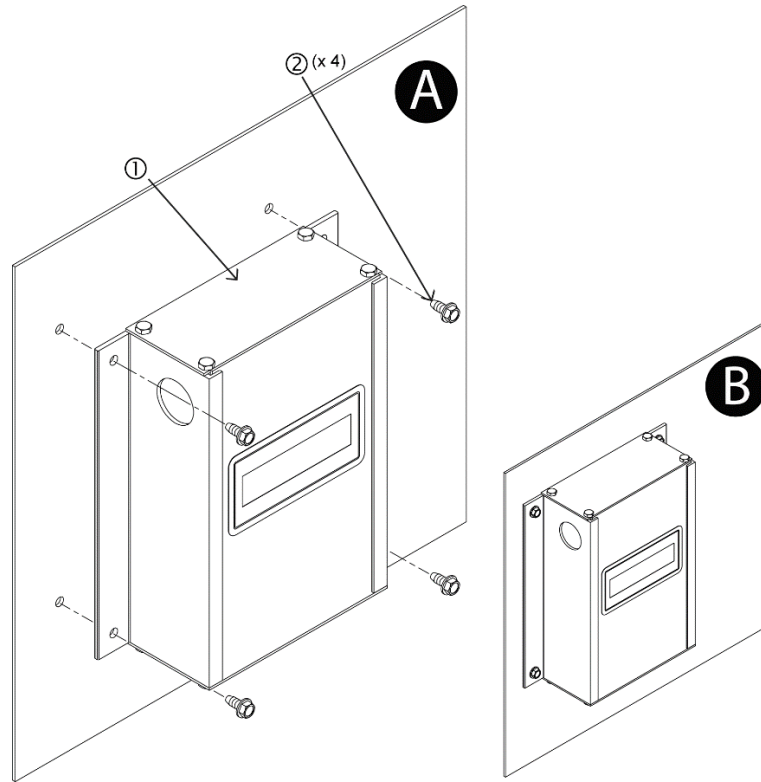


Advantage IV Hybrid Series Transmitter Installation



Step 1. Locate a position for the transmitter so that the connecting cables from all of the sensor probes will reach the receptacles on the bottom of the transmitter enclosure.



Provide a minimum of 6.5 inches [165 mm] above Hybrid Series transmitters to allow for cover removal when slide out covers are provided.



Provide a minimum of 3 inches [76 mm] below all transmitters to connect cable plugs from the sensor probes.



Mount transmitters in a location protected from moisture, rain and snow with an ambient temperature between -20 and 120 °F [-28.9 to 48.9 °C]. Provide a weatherproof enclosure and mount away from direct sunlight when outdoor mounting is required.



Transmitters have an LCD and four-button user interface. Select a mounting location where the LCD and pushbutton interface are accessible during normal operation. The cover of the Advantage IV Hybrid Series transmitter slides up and out of the enclosure.

REFER TO FIGURE “A” WHEN COMPLETING STEP 2 to 4.

Step 2. Use the transmitter [①] as a template to locate and mark the position for the four mounting screws [②].

Step 3. Drill appropriately sized pilot holes for each mounting screw [②] location marked in Step 2.

Step 4. Secure the transmitter to the mounting surface with four mounting screws selected [②].

Step 5. Transmitter installation is complete! Figure “B” shows a completed transmitter installation.



Refer to the applicable Wiring Guide prior to making any wiring connections.