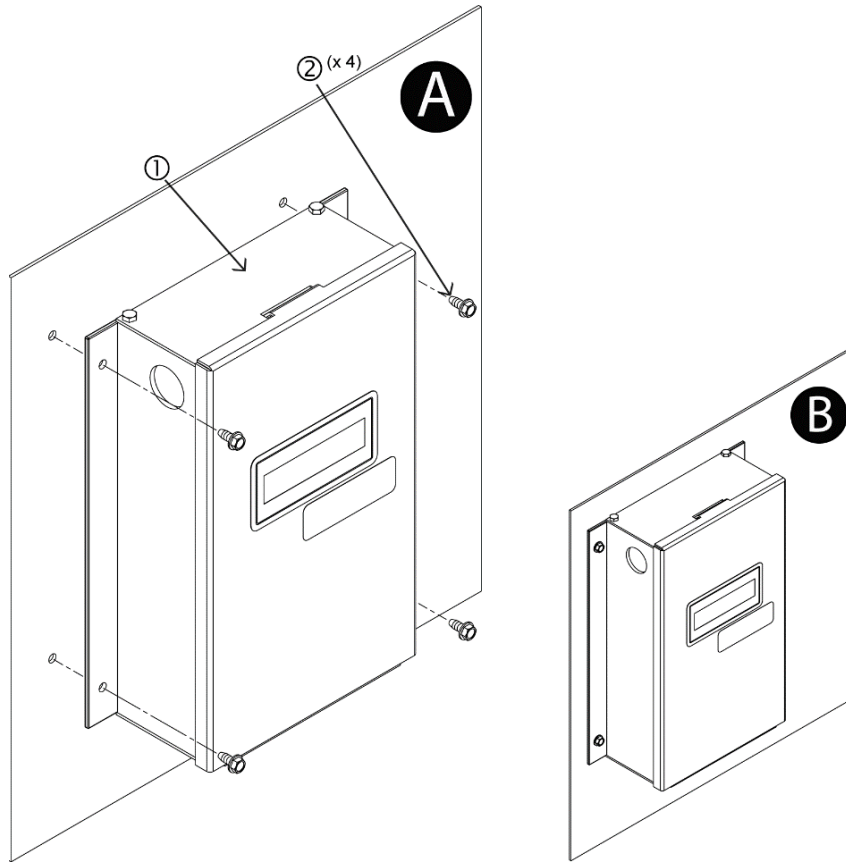


# Advantage IV Gold Series Transmitter Installation



Step 1. Locate a position for the transmitter so that the connecting cables from all of the sensor probes will reach the receptacles on the bottom of the transmitter enclosure.



*Provide a minimum of 3 inches [76 mm] below all transmitters to connect cable plugs from the sensor probes.*



*Mount transmitters in a location protected from moisture, rain and snow with an ambient temperature between -20 and 120 °F [-28.9 to 48.9 °C]. Provide a weatherproof enclosure and mount away from direct sunlight when outdoor mounting is required.*



*Transmitters have an LCD and four-button user interface. Select a mounting location where the LCD and pushbutton interface are accessible during normal operation. The cover of the Advantage IV Gold Series transmitter hinges up for removal.*

REFER TO FIGURE “A” WHEN COMPLETING STEP 2 TO 4.

Step 2. Use the transmitter [①] as a template to locate and mark the position for the four mounting screws [②].

Step 3. Drill appropriately sized pilot holes for each mounting screw [②] location marked in Step 2.

Step 4. Secure the transmitter to the mounting surface with four mounting screws selected [②].

Step 5. Transmitter installation is complete! Figure “B” shows a completed transmitter installation.



*Refer to the applicable Wiring Guide prior to making any wiring connections.*