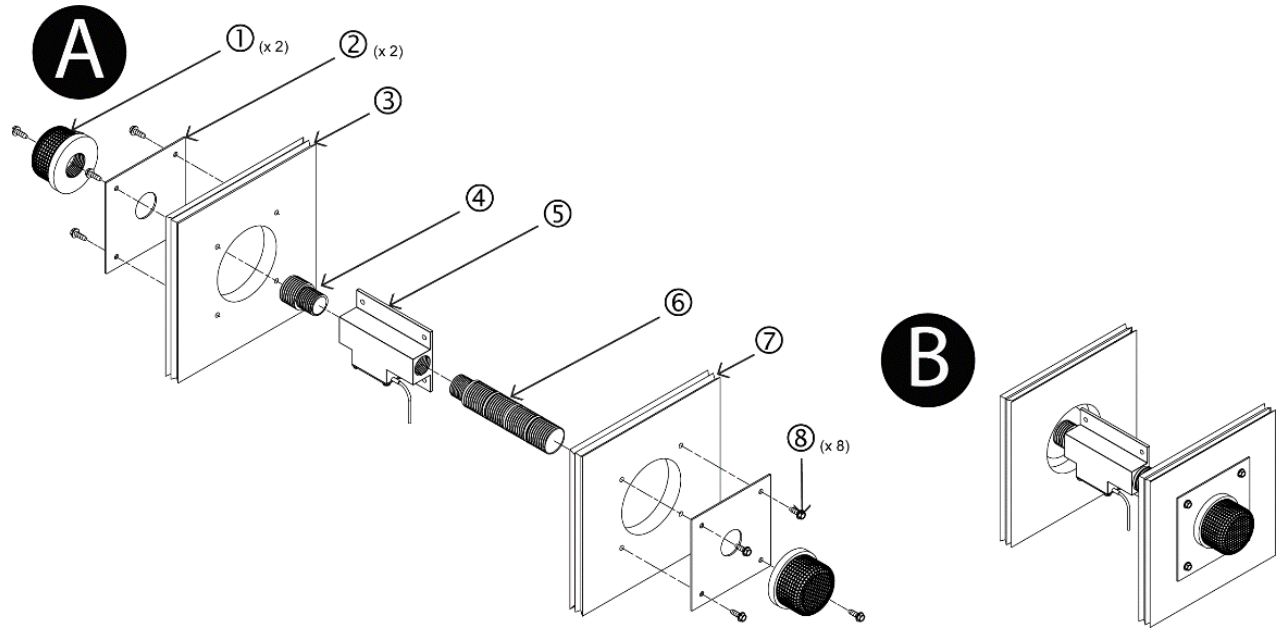


-B Probe Installation (Wall Mounting)



Step 1. Select a location along the wall that allows for bleed sensor placement and installation.



The wall mounting kit is designed for mounting through the wall between adjacent spaces with wall thickness of 5 to 8 inches.



It is recommended for the bleed sensor to be installed with the airflow directional arrow pointing in the direction of the normal airflow between adjacent spaces.



On exterior wall surface applications, a rain shield or louver (provided by others) must be used to prevent water carry over into the sensor.

REFER TO FIGURE "A" WHEN COMPLETING STEPS 2 TO 12.

- Step 2. Mark the center-point of where bleed sensor [5] will be installed on both the upstream wall [3] and downstream wall [7], as selected in Step 1.
- Step 3. Using one of the face plates [2] as a template, center over the marks made in Step 2; mark and drill four pilot holes at the locations for the four mounting screws [8] (screws not provided).
- Step 4. Drill a 3 inch hole at both center-points marked in Step 2.
- Step 5. Secure the face plate [2] to the upstream side of the wall [3] with four mounting screws [8] (screws not provided) in the pre-drilled holes.
- Step 6. Thread the reducer fitting [4] into the upstream side of the bleed sensor [5].
- Step 7. Determine correct length of cut-off extension [6], and trim if necessary.
- Step 8. Thread the cut-off extension [6] into the downstream side of the bleed sensor [5].
- Step 9. Feed the bleed sensor [5] in from the downstream side of the wall [7], and feed reducer fitting [4] threads through face plate [2] mounted on upstream wall [3].
- Step 10. Secure protective mesh screen [1] to reducer fitting [4] on the upstream side of wall [3].



Make any provisions necessary so that the cable from the bleed sensor can reach the Ebtron Transmitter.

- Step 11. Position the face plate [2] over the threads of the cut-off extension [6], and secure to the downstream side of the wall [7] with four mounting screws [8] (screws not provided) in the pre-drilled holes
- Step 12. Secure protective mesh screen [1] to cut-off extension [6] on the downstream side of wall [7].
- Step 13. Bleed sensor installation is complete! Figure “B” shows a completed installation.