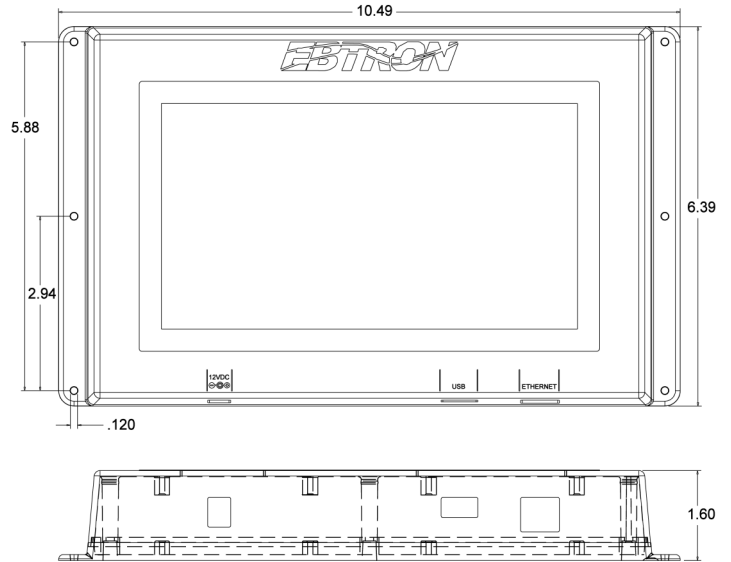
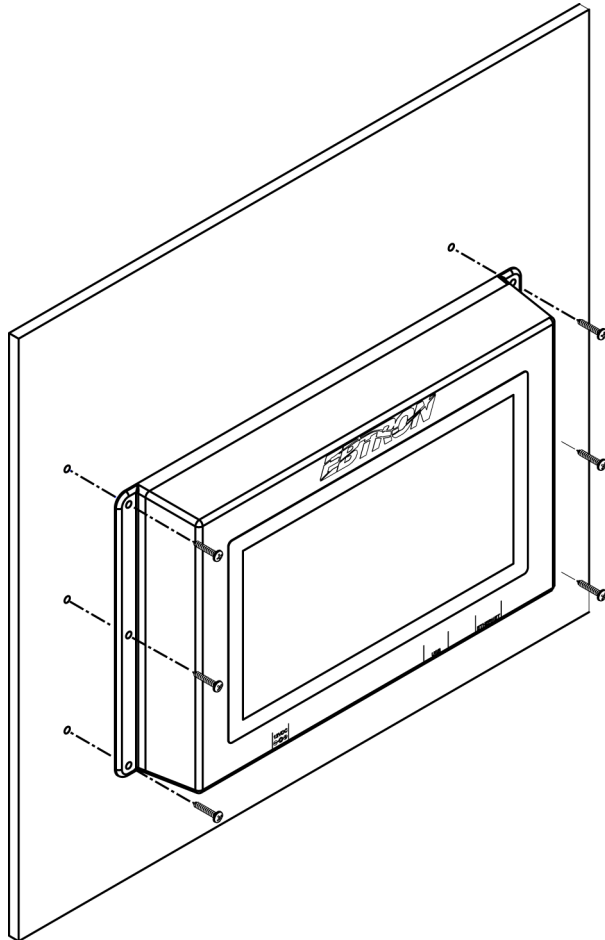


**SDX-1000 - Installation**

**Mounting Diagram and Dimensions**



**INSTRUCTIONS TO INSTALLER:**

Mount the SDX-1000 in a location where the Ethernet and power cables can reach the receptacles of the SDX-1000. Do not mount in a location that has direct exposure to the elements.