

# Bleed Airflow Sensor

## Installation Guide for -B Bleed Airflow Sensor with Underfloor/Wall Mount Kit

Bleed Airflow Sensor with  
Underfloor/Wall Mount Kit (Part number 800-1260)  
For use with Gold Series GB1, and  
Hybrid Series HB1/SB1 Bleed Airflow Sensors

*Document Name: IG\_B\_UF\_WALL\_R1A*



Bleed Airflow Sensor with Underfloor/Wall Mount Kit

## Table of Contents

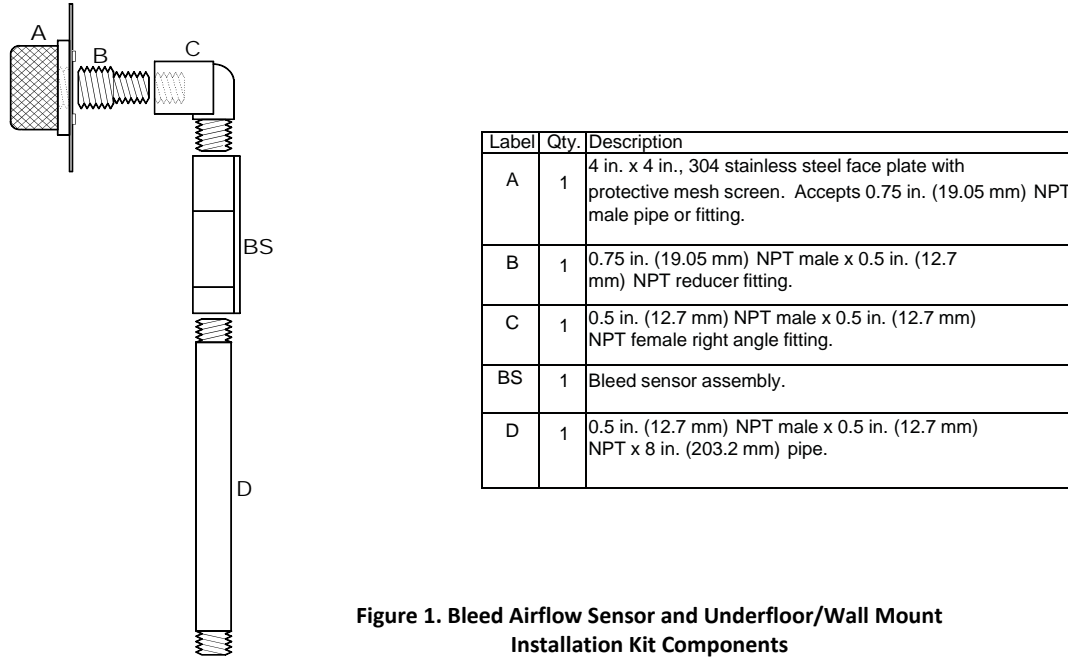
1	OVERVIEW.....	3
2	PREPARATION FOR INSTALLATION.....	4
3	BLEED SENSOR UNDERFLOOR/WALL MOUNT KIT INSTALLATION .....	4

## List of Figures

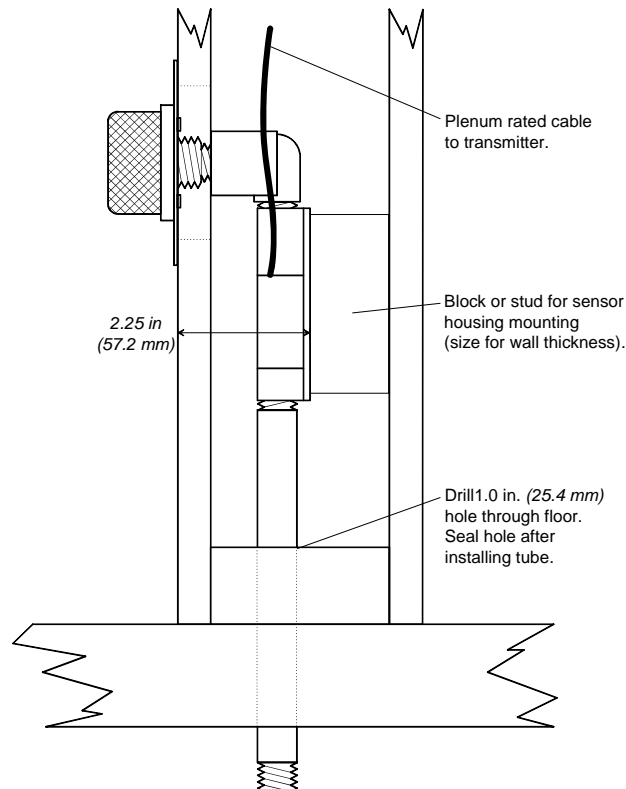
Figure 1. Bleed Airflow Sensor and Underfloor/Wall Mount Installation Kit Components.....	3
Figure 2. Typical Application, Bleed Airflow Sensor and Underfloor/Wall Mount Installation Kit .....	3

## 1 OVERVIEW

This document provides the instructions necessary to install the Bleed Airflow Sensor when supplied with the Underfloor/Wall mounting kit shown in Figures 1 and 2. Figure 2 shows installation details for the underfloor/wall mounting kit for underfloor systems. The bleed sensor requires a 3 to 3.5 inch (76.2 to 88.9 mm) opening. The opening is covered by the stainless steel face plate and the protective screen provided. The plate should be secured and sealed to the wall.



**Figure 1. Bleed Airflow Sensor and Underfloor/Wall Mount Installation Kit Components**



**Figure 2. Typical Application, Bleed Airflow Sensor and Underfloor/Wall Mount Installation Kit**

IG\_B\_UF\_WALL\_R1A

## 2 PREPARATION FOR INSTALLATION

- a. Determine the specified location for the Bleed Airflow Sensor as indicated on the engineer's plans. Ensure that the cable supplied with the sensor is of sufficient length to reach the planned transmitter installation site. It is recommended that the sensor be installed first to ensure that the included cable will reach the transmitter after routing and securing the cable.

### **WARNING**



Do not place the protective screen in an expected high traffic area since it protrudes approximately 1-3/8 inches above the mounting surface.

- b. Carefully open the Bleed Airflow Sensor and Underfloor/Wall Mount Installation Kit packages and inspect for damage. If damage is noted, immediately file a claim with carrier.

## 3 BLEED SENSOR UNDERFLOOR/WALL MOUNT KIT INSTALLATION

The following paragraphs detail installation of the bleed airflow sensor with the underfloor/wall mount installation kit. Figure 2 shows typical Bleed Airflow Sensor installation detail for the Underfloor/Wall Mounting kit. The bleed sensor requires a 3 to 3.5 inch (76.2 to 88.9 mm) opening in the wall in a suitable (not high traffic) location. The opening is covered by the stainless steel face plate and the protective screen provided. The plate should be secured and sealed to the wall mounting surface.

- a. Orient the bleed sensor so that the airflow directional arrow label points up away from the floor (flow is typically from the normally higher pressure underfloor plenum side to the lower pressure wall side of the installation).
- b. Drill a 1.0 inch (25.4 mm) hole through the base wall sole plate and floor where the bleed sensor will be mounted so that when mounted, the end of the tube protrudes slightly into the floor plenum.
- c. Install tubing as shown.
- d. Secure the bleed sensor housing (BS) to a support beam or other suitable bracket so that the base of the sensor is approximately 2.25 inches (57.2 mm) from the interior wall surface (room side). Install tubing as shown.
- e. The supplied shield (or equivalent) must be used to protect the Bleed Sensor opening. Do not place in expected high traffic areas since the protective screen protrudes approximately 1-3/8 inches from the wall surface. In addition, prevent water carry over into the sensor in all applications.
- f. Route the plenum rated cable supplied to the Ebtron transmitter.
- g. For improved accuracy, engage the Field Adjust Wizard feature on the transmitter as outlined in the Transmitter technical manual (under separate cover).

For any application specific installation questions, concerns or assistance, please contact the Ebtron Applications team at 800.2EBTRON (800. 232-8766).