

Bleed Airflow Sensor

Installation Guide for -B Bleed Airflow Sensor with Plenum Damper Mounting Kit

Bleed Airflow Sensor with
Plenum Damper Mounting Kit (800-1250)
For use with Gold Series GB1, and
Hybrid Series HB1/SB1 Bleed Airflow Sensors

Document Name: IG_B_PLENUM_R1A

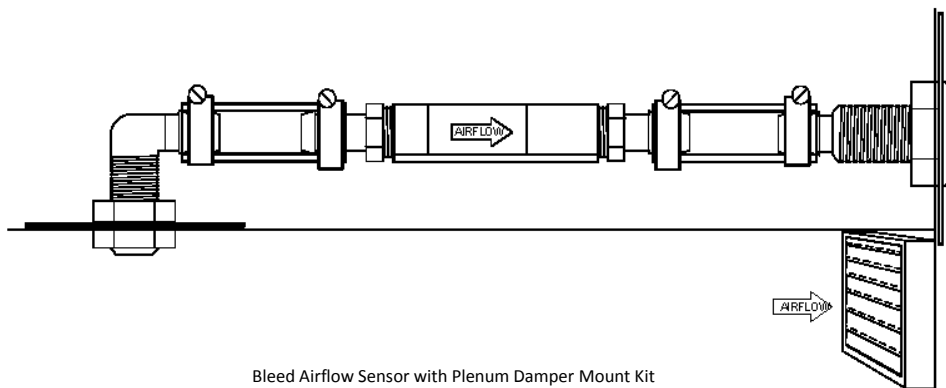


Table of Contents

1	OVERVIEW.....	3
2	PREPARATION FOR INSTALLATION.....	4
3	BLEED SENSOR PLENUM DAMPER MOUNTING KIT INSTALLATION	4

List of Figures

Figure 1.	Plenum Damper Mounting Installation Kit Components.....	3
Figure 2.	Plenum Damper Mounting Installation Detail	3

1 OVERVIEW

This document provides the instructions necessary to install the Bleed Airflow Sensor in plenum damper applications for relief and return damper control. Figures 1 and 2 show mounting kit components and installation details for the Plenum Damper Mounting kit.

Plenum Damper Mounting Kit Components

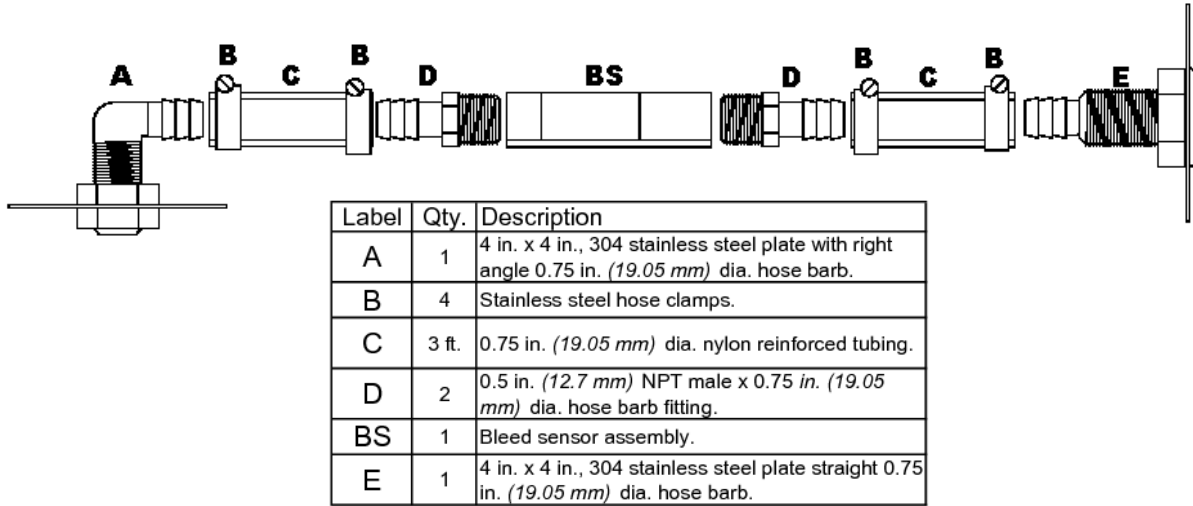


Figure 1. Plenum Damper Mounting Installation Kit Components

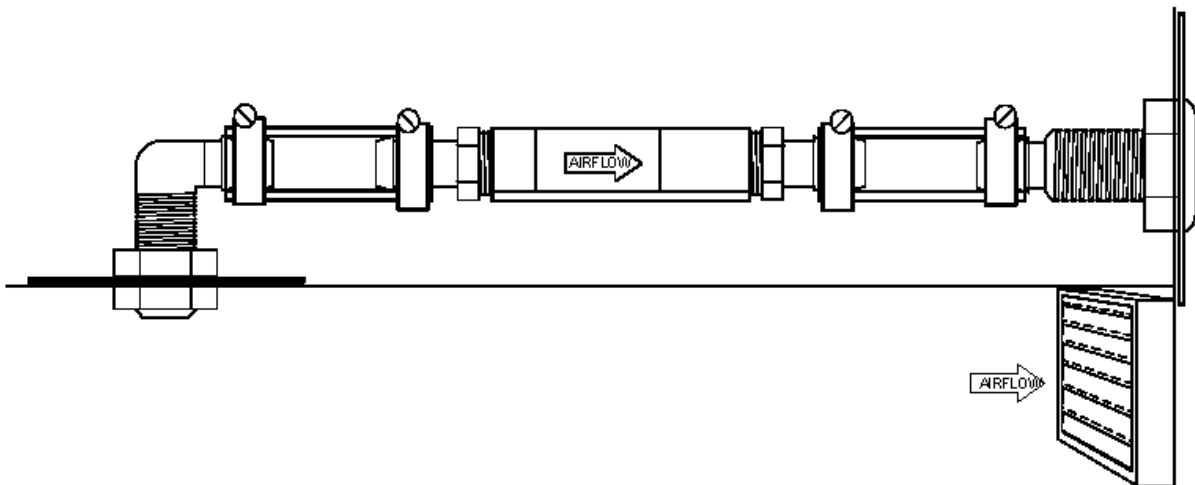


Figure 2. Plenum Damper Mounting Installation Detail

IG_B_PLENUM_R1A

2 PREPARATION FOR INSTALLATION

- a. Determine the specified location for the Bleed Airflow Sensor as indicated on the engineer's plans. Ensure that the cable supplied with the sensor is of sufficient length to reach the planned transmitter installation site. It is recommended that the sensor be installed first to ensure that the included cable will reach the transmitter after routing and securing the cable.
- b. Carefully open the Bleed Airflow Sensor and the Plenum Damper Mounting Kit packages and inspect for damage. If damage is noted, immediately file a claim with carrier.

3 BLEED SENSOR PLENUM DAMPER MOUNTING KIT INSTALLATION

The following paragraphs detail installation of bleed sensors in plenum damper applications for relief and return damper control. Refer to Figures 1 and 2 for installation details.

- a. Orient the bleed sensor so that the airflow directional arrow label points away from the return plenum.
- b. Installation consists of drilling a 2 inch hole on one side of the relief damper (in the duct), and another 2 inch hole in the plenum on the other side of the damper.
- c. Cut tubing to required length.
- d. Install tubing as shown in Figures 1 and 2, and secure with the pipe clamps provided. Keep tubing straight to avoid kinks.
- e. Mount the sensor (if necessary) using the four mounting holes provided with suitable attaching hardware, and ensure that there will not be any water carry over into the sensor in all applications.
- f. Route the plenum rated cable supplied to the Ebtron transmitter.

For any application specific installation questions, concerns or assistance, please contact the Ebtron Applications team at 800.2EBTRON (800. 232-8766).