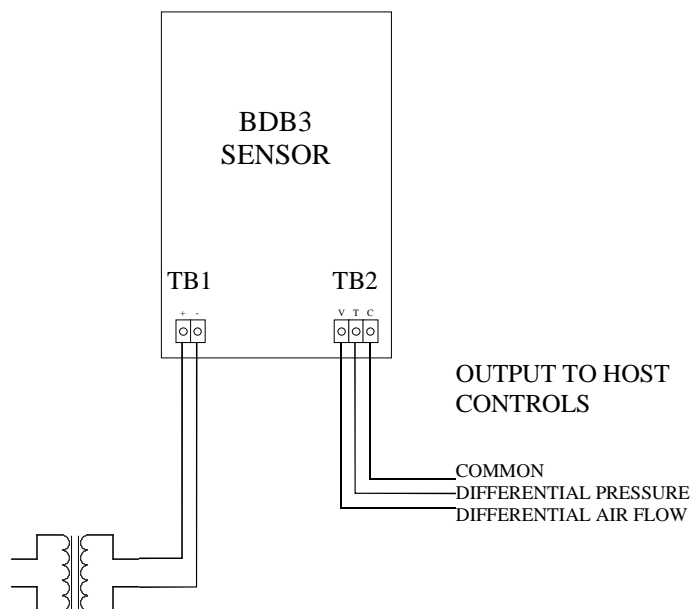


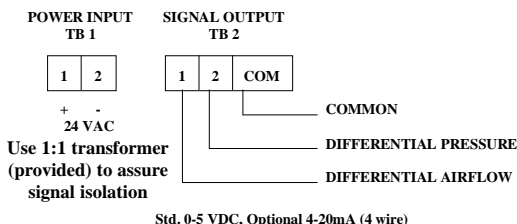
Eliminator

BDB3 Sensor Wiring



WIRING SCHEMATIC

Model	VA
BDB3	7.3



POWER REQUIREMENTS

TERMINAL CONNECTIONS

IMPORTANT NOTES:

1. **24 VAC ONLY**
2. **POWER CONNECTIONS MUST NOT BE CONNECTED TO EARTH GROUND.** INSTALLATION OF THE 1:1 ISOLATION TRANSFORMER PROVIDED WITH EACH AFMS STATION IS RECOMMENDED AND REQUIRED FOR SYSTEM WARRANTY.
3. ALL CONNECTIONS TO MULTIPLE SENSORS FROM A SINGLE TRANSFORMER MUST BE MADE IN PHASE.
4. DO NOT WIRE OTHER MANUFACTURER'S EQUIPMENT TO THE SAME TRANSFORMER AS THE EBTRON SENSORS. SOME MANUFACTURER'S GROUND THEIR DEVICES WHICH WILL RESULT IN THE LOSS OF EBTRON'S FLOATING GROUND OUTPUT.

EBTRON, Inc.

ELECTRONIC AIR FLOW MEASUREMENT

1663 HWY. 701 S., LORIS, SC 29569

PROUDLY MANUFACTURED IN THE USA

1-800-232-8766

1-843-756-1828

Fax: 843-756-1838

<http://www.ebtron.com>

e-mail:

ebtron@ebtron.com

Engineer: _____

Project: _____

Reference #: _____ Date: _____

Rep: _____

Dwg. #: BDB3 Wire 081099 Page of _____