

ANALOG INPUT SIGNAL “SMART RELAY” THRESHOLD ALARM WITH LOCAL LED INDICATION



PRODUCT HIGHLIGHTS

- Comparison threshold alarm
- LED alarm indication
- Dry contact N.O. relay
- Trigger with an analog DC signal
- Input range 0-10 VDC or 4-20 mA
- Activation trigger > 3 VDC or 6 mA
- Ideal for Advantage IV products
- Convert AO alarm to LED/relay alarm
- Simple terminal block connections
- One-year warranty
- Toll-free customer support for the lifetime of the product

TYPICAL APPLICATIONS

- Convert analog signal alarms to visual or contact closure alarm
- Gold & Hybrid transmitter enhanced alarming

MODEL DESCRIPTION

The ALRT-100 accepts a binary analog output signal for applications requiring local or remote visual or contact closure alarming. The device provides a visual LED indication as well as a contact closure relay capable of passing up to 3 amps at 30VDC or 24 VAC.

ALRT-100 TECHNICAL SPECIFICATIONS

General

Input

Type: Analog input (AI1)

Ranges:

Voltage: 0-10 VDC

Current: 4-20 mA (from 4 wire source, no excitation voltage)

Relay:

Type: Dry contact w/onboard jumper to drive a remote LED
(R1=Alarm)

Status: N.O.

Rating: 30 VDC or 24 VAC @ 3 amp. Max.

Analog Input (AI1) Threshold Alarm

Type: Threshold alarm on AI1 > comparison threshold

Comparison Threshold:

Voltage: Fixed at 3 VDC

Current: Fixed at 6 mA

Delay: None

Reset Method: Automatic

Visual Indication: Yes, red LED

Contact Closure Relay Assignment: Yes, R1

Listings and Compliance

FCC: This device complies with Part 15 of the FCC rules

RoHS: This device is RoHS2 compliant

Environmental Limits

Temperature: -20 to 120 °F [-28.9 to 48.9 °C]

Humidity: 5 to 95% (non-condensing)

Power Requirement: 24 VAC (22.8 to 26.4 under load) @1.5V-A

Dimensions: 3.36H x 4.25W x 1.36D in. [85.2x108.0 x 34.5 mm]

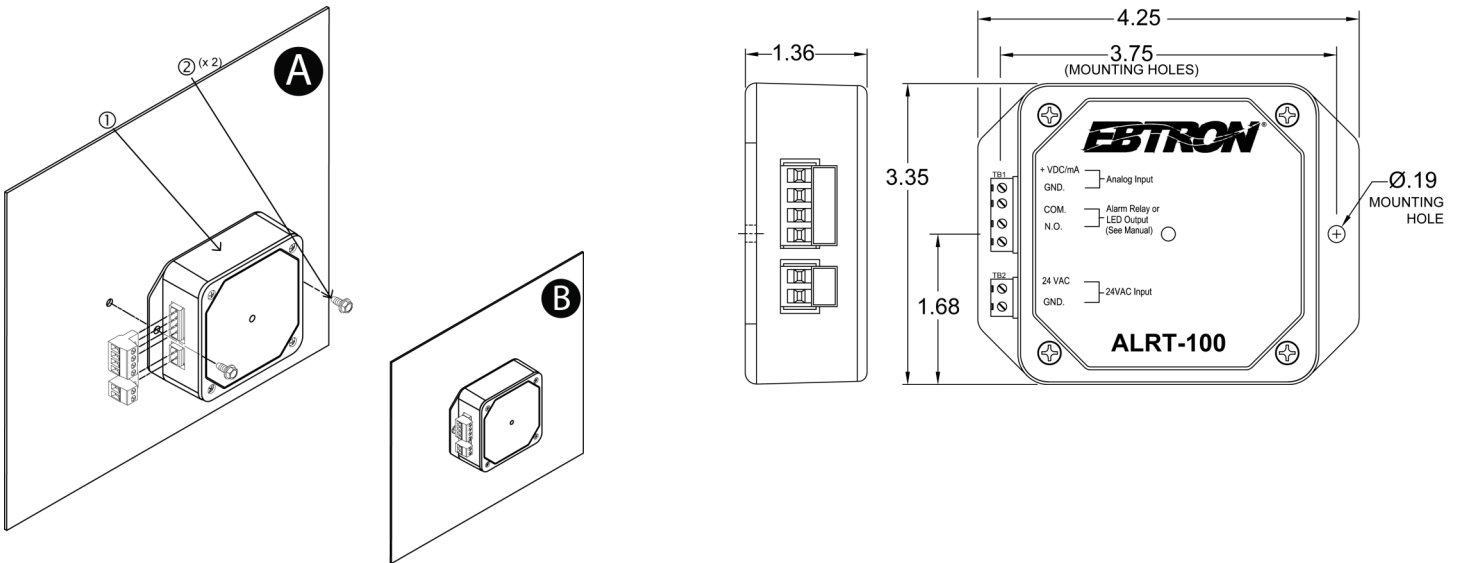
ALRT-100 INSTALLATION AND WIRING

Detailed installation and wiring instructions are provided in the ALRT-100 Installation Guide.

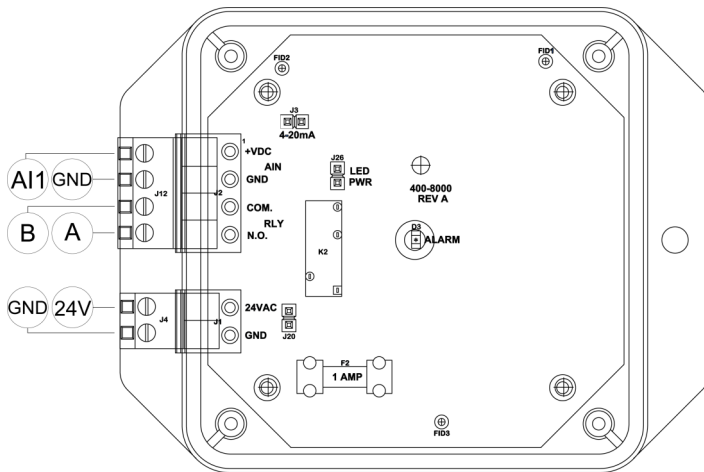
Locate the ALRT-100 where it is protected from moisture, rain, and snow.

Mounting Diagram and Dimensions

ALRT-100 Installation



ALRT-100 - Wiring Connections



ALRT-100 CONNECTIONS

Power		Analog In (non-isolated)		Contact Closure	
24VAC	GND	AI1	GND	A	B
24 VAC (hot)	24 VAC (neutral)	Analog Signal +	Signal Common	OUT	IN

i The ALRT-100 is preconfigured for 0-10/0-5 VDC signal. Place shunt jumper across J3 for 4-20mA signal.

STARTUP

Detailed startup instructions are provided in the ALRT-100 Installation Guide.

QUOTATIONS AND ORDERING

Use the model code ALRT-100 to request a quote or place an order. Quotations and orders are provided by your local EBTRON representative.