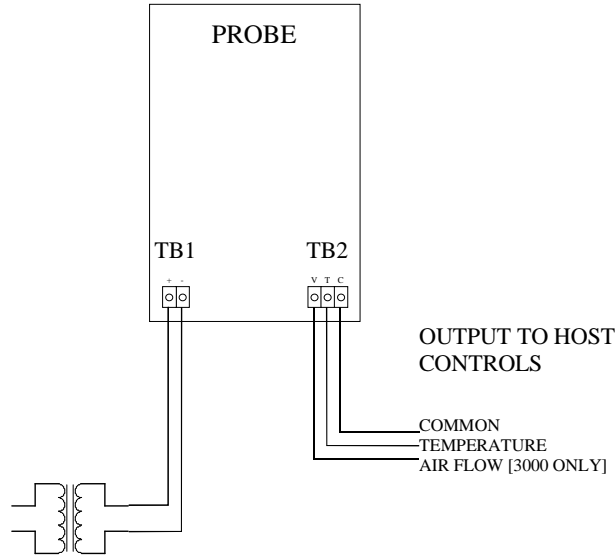


Eliminator

3000 & T003 Model Wiring

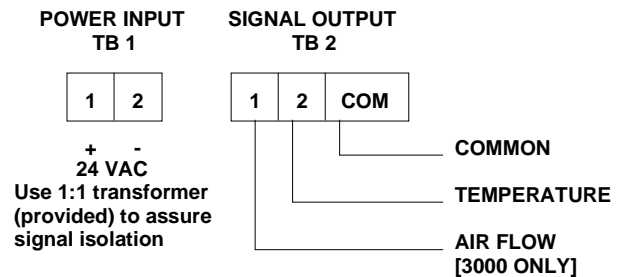


24 VAC ONLY

WIRING SCHEMATIC

Model	VA
3110	6.6
3120	7.3
3130	7.9
3140	8.6
TXX3	6.6

POWER REQUIREMENTS



Std. 0-5 VDC, Optional 4-20mA (4 wire)

TERMINAL CONNECTIONS

IMPORTANT NOTES:

1. **24 VAC ONLY**
2. **AFMS POWER CONNECTIONS MUST NOT BE CONNECTED TO EARTH GROUND.** INSTALLATION OF THE 1:1 ISOLATION TRANSFORMER PROVIDED WITH EACH AFMS STATION IS RECOMMENDED AND REQUIRED FOR SYSTEM WARRANTY.
3. ALL CONNECTIONS TO MULTIPLE PROBES FROM A SINGLE TRANSFORMER MUST BE MADE IN PHASE.
4. DO NOT WIRE OTHER MANUFACTURER'S EQUIPMENT TO THE SAME TRANSFORMER AS THE EBTRON SENSORS. SOME MANUFACTURER'S GROUND THEIR DEVICES WHICH WILL RESULT IN THE LOSS OF EBTRON'S FLOATING GROUND OUTPUT.

EBTRON, Inc.

ELECTRONIC AIR FLOW MEASUREMENT

1663 HWY. 701 S., LORIS, SC 29569

PROUDLY MANUFACTURED IN THE USA

1-800-232-8766
 1-843-756-1828
 Fax: 843-756-1838
<http://www.ebtron.com>
 e-mail:
ebtron@ebtron.com

Engineer:	
Project:	
Reference #:	Date:
Rep:	
Dwg. #: 3 Wire 081099	Page of