

Installation, Operation and Maintenance Technical Manual

IAQ-100-N
CO₂ Sensor for
RS-485 BACnet[®] and Modbus[®] RTU Applications

Model: IAQ-100-N
Part Number: 410-5300AA

Document: *TM_IAQ-100-N_R1A*



TM_IAQ-100-N_R1A



BACnet is a registered trademark of ASHRAE. ASHRAE does not endorse, approve or test products for compliance with ASHRAE standards. Compliance of listed products to the requirements of ASHRAE Standard 135 is the responsibility of BACnet International (BI). BTL is a registered trademark of BI.

LIST OF EFFECTIVE AND CHANGED PAGES

Insert latest changed pages (in bold text); remove and dispose of superseded pages.
Total number of pages in this manual is **20**.

Page	Rev *	Description of Change	Date	Page	Rev *	Description of Change	Date
1	20	R1A Initial Document Release . . .	06/18/2010				

* R1A indicates an original page without change

Table of Contents

<p>OVERVIEW3</p> <p>ADVANCED TECHNOLOGY3</p> <p>SPECIFICATIONS4</p> <p>ORDERING GUIDE4</p> <p>IAQ-100 PLACEMENT CONSIDERATIONS5</p> <p>IAQ-100 INSTALLATION6</p> <p>IAQ-100 INTERCONNECTIONS8</p> <p>IAQ-100 SET UP10</p> <p>IAQ-100 BACnet[®] CONFIGURATION10</p> <p style="padding-left: 20px;">J1 - IAQ-100 RS485 Network Termination Selection . . .10</p> <p style="padding-left: 20px;">Setting IAQ-100 Time10</p> <p style="padding-left: 20px;">SW1 - IAQ-100 Configuration DIP Switch Settings . . .10</p> <p style="padding-left: 40px;">Setting the MAC Address11</p> <p style="padding-left: 40px;">Changing BACnet[®] Device Object Instance Number . .11</p> <p style="padding-left: 40px;">Setting the MS/TP Baud Rate12</p> <p style="padding-left: 40px;">Restoring Factory Default Settings12</p> <p>IAQ-100 MODBUS[®] CONFIGURATION13</p> <p>IAQ-100 START-UP13</p> <p>IAQ-100 NORMAL OPERATION13</p>	<p>IAQ-100 MAINTENANCE14</p> <p style="padding-left: 20px;">BACnet[®] CO2 Sensor Calibration14</p> <p style="padding-left: 20px;">Modbus[®] CO2 Sensor Calibration15</p> <p>BACnet[®] NETWORK DEVICE OPERATING PARAMETERS . . .15</p> <p>MODBUS[®] NETWORK DEVICE OPERATING PARAMETERS .15</p> <p>EBTRON STANDARD LIMITED PARTS WARRANTY15</p> <p>APPENDIX A - BACnet[®] NETWORK DEVICE OPERATING PARAMETERS16</p> <p style="padding-left: 20px;">IAQ-100 BACNET[®] OVERVIEW16</p> <p style="padding-left: 40px;">BACnet[®] Device Object16</p> <p style="padding-left: 40px;">BACnet[®] Analog Input (AI) Objects16</p> <p style="padding-left: 40px;">BACnet[®] Analog Value Objects17</p> <p style="padding-left: 40px;">BACnet[®] Binary Value Objects17</p> <p>APPENDIX B - MODBUS[®] NETWORK DEVICE OPERATING PARAMETERS18</p> <p style="padding-left: 20px;">IAQ-100 Modbus[®] Register Overview18</p> <p style="padding-left: 40px;">Modbus[®] 4-Byte Floats - Read Only Properties18</p> <p style="padding-left: 40px;">Modbus[®] 4-Byte Floats - Read/Write Properties18</p> <p style="padding-left: 40px;">Modbus[®] 2-Byte Registers - Read/Write Properties . .19</p>
---	---

List of Figures

Figure 1. EBTRON IAQ-100 - CO2 Wall Mount BACnet [®] /Modbus [®] RTU Sensor	3
Figure 2. IAQ-100 Outline Dimensions	5
Figure 3. Marking Locations for Installation	7
Figure 4. IAQ-100 Typical Wiring Diagram to BAS Control Interface	8
Figure 5. IAQ-100 Interior Detail View	9
Figure 6. SW1 - Configuration DIP Switch Detail View	11
Figure 7. MAC Address Selection Settings	11
Figure 8. Baud Rate Selection Settings	12
Figure 9. IAQ-100 CO2 Calibration Ports	15

List of Tables

Table A1. BACnet [®] Device Object	16
Table A2. BACnet [®] Analog Input (AI) Objects	16
Table A4. BACnet [®] Binary Value Objects	17
Table A3. BACnet [®] Analog Value Objects	17
Table B1. IAQ-100 Supported Standard Modbus [®] Command Functions	18
Table B2. Modbus [®] 4-Byte Floats - Read-Only Properties . .18	
Table B3. Modbus [®] 4-Byte Floats - Read/Write Properties .18	
Table B4. Modbus [®] 2-Byte Registers - Read/Write Properties . .19	

TM IAQ-100-N_R1A

Copyright[®] 2010, EBTRON[®], Inc.

All brand names, trademarks and registered trademarks are the property of their respective owners. Information contained within this document is subject to change without notice. Visit EBTRON.com to view and/or download the most recent versions of this and other documents.

All rights reserved.



Figure 1. EBTRON IAQ-100 - CO₂ Wall Mount BACnet[®]/Modbus[®] RTU Sensor

OVERVIEW

EBTRON's IAQ-100-N is an innovative wall mount CO₂ sensor that provides precision measurement and BACnet[®] MS/TP or Modbus[®] RTU communications interface in a wall mount package for interoperability with modern building automation systems (BAS). The IAQ-100 is ideal for maintenance of IAQ in variable occupancy spaces where direct occupant counting is not well suited. The IAQ-100 is key in the acquisition of LEED^{®1} credit points for densely occupied spaces to satisfy the Ventilation Rate Procedure (VRP) of ASHRAE^{®2} Standard 62.1-2007, and in reducing overall energy consumption.

At the heart of the IAQ-100 is EBTRON's proprietary microcontroller based sensor featuring a patented, extremely stable CO₂ measurement system that requires no maintenance or calibration during its normal service life. The patented self-calibration feature virtually eliminates manual calibration in applications where indoor CO₂ levels drop to normal outdoor background levels during unoccupied periods (e.g. during evening hours).

The integral RS-485 BACnet[®] MS/TP and Modbus[®] RTU compatible communications interface includes options for setting address, device instance and baud rate. The IAQ-100 provides an economical, simple and intelligent network CO₂ monitoring solution.

Simple field configuration is accomplished by DIP switches on the main circuit board and via the BACnet[®] and Modbus[®] RTU interface.

ADVANCED TECHNOLOGY

- BACnet[®]/Modbus[®] RTU device features precision CO₂ sensing element.
- Continuous CO₂ self-calibration feature eliminates routine maintenance.
- Integral RS-485 BACnet[®] MS/TP and Modbus[®] RTU interface for interoperability with common BAS devices.
- Microprocessor-based electronics with industrial grade integrated circuits.
- Convenient DIP switch user interface for simple field configuration.

Network Connectivity
Solutions



Modbus[®]

¹ LEED[®]: Leadership in Energy and Environmental Design - a Green Building Rating System that is a nationally accepted benchmark for the design, construction, and operation of high performance "green" buildings.

²ASHRAE[®]: American Society of Heating, Refrigerating and Air Conditioning Engineers - an international technical society for heating, ventilation, air-conditioning, and refrigeration.

SPECIFICATIONS

Sensor Complement

- Advanced precision CO₂ sensing element and an RS-485 BACnet[®] MS/TP and Modbus[®] RTU communication interface

CO₂ Sensor Performance

- Technology: Non Dispersive Infrared (NDIR), gold plated optics, diffusion sampling with patented self- calibration algorithm
- CO₂ Range: 400-2,000 ppm (factory default)
Adjustable to 10,000 ppm
- CO₂ Accuracy: 500ppm ±35ppm
800ppm ±60ppm
1000ppm ±75ppm
1200ppm ±90ppm
*Accuracy shown at 77° F (25° C)
- CO₂ Stability: <2% of FS over life of sensor
(15 years typical)

Signal Processing: Microprocessor-based

Power Supply Performance

- Technology: Integral power supply powered by external 24 VAC (22.8-26.4VAC), 50/60 Hz source.
- Brownout Watchdog protection reset circuit
- Overvoltage, overcurrent, and surge protection

Enclosure

- Attractive low profile wall mount enclosure compatible with standard single-gang electrical box, and surface mount applications.

Dimensions

- 4.650 x 3.250 x 1.090 in (118.11 x 82.55 x 27.69 mm)

User Interface

- Simple DIP switch selection

Output to Host Controls

- RS-485 BACnet[®] MS/TP or Modbus[®] RTU
- Baud rate: Selectable 76,800, 38,400, 19,200, 9,600
Default: RS-485 BACnet[®] MS/TP 76,800
Default: Modbus[®] RTU: 19,200

System Diagnostics

- On board LED status indicator

Environmental Limits

- Operating Temperature: 32° F to 122° F
(0° C to 50° C)
- Moisture: 0 to 95% RH, noncondensing

Limited Warranty

- 36 months from shipment (1 year for CO₂ module) - refer to **EBTRON** Standard Terms and Conditions of Sale" for complete warranty information.

ORDERING GUIDE

Order **EBTRON** model number **IAQ-100-N**.

IAQ-100 PLACEMENT CONSIDERATIONS

Figure 2 details the mechanical outline dimensions of the IAQ-100. The location selected for the IAQ-100 is important to ensure accurate readings that are representative of the area to be monitored. Preferred mounting locations are:

- On an interior wall that has no direct sunlight exposure and is near (but not directly in the airstream of) a return air duct. In areas with multiple return air ducts, locate the sensor at a point between them, observing the same precautions. Avoid areas with poor air circulation, such as behind doors or in alcoves where temperature fluctuations and moisture accumulation can affect sensor performance. Also, avoid areas that may expose the IAQ-100 to direct occupant breathing (e.g. water coolers, coffee machines, etc.).
- At a height of 4 to 6 feet from floor level, and at least 3 feet from a corner and 2 feet from an open doorway.
- Away from the direct airflow of windows, doorways, halls or other heating and cooling sources.
- Away from other equipment that could affect the temperature of the sensor.

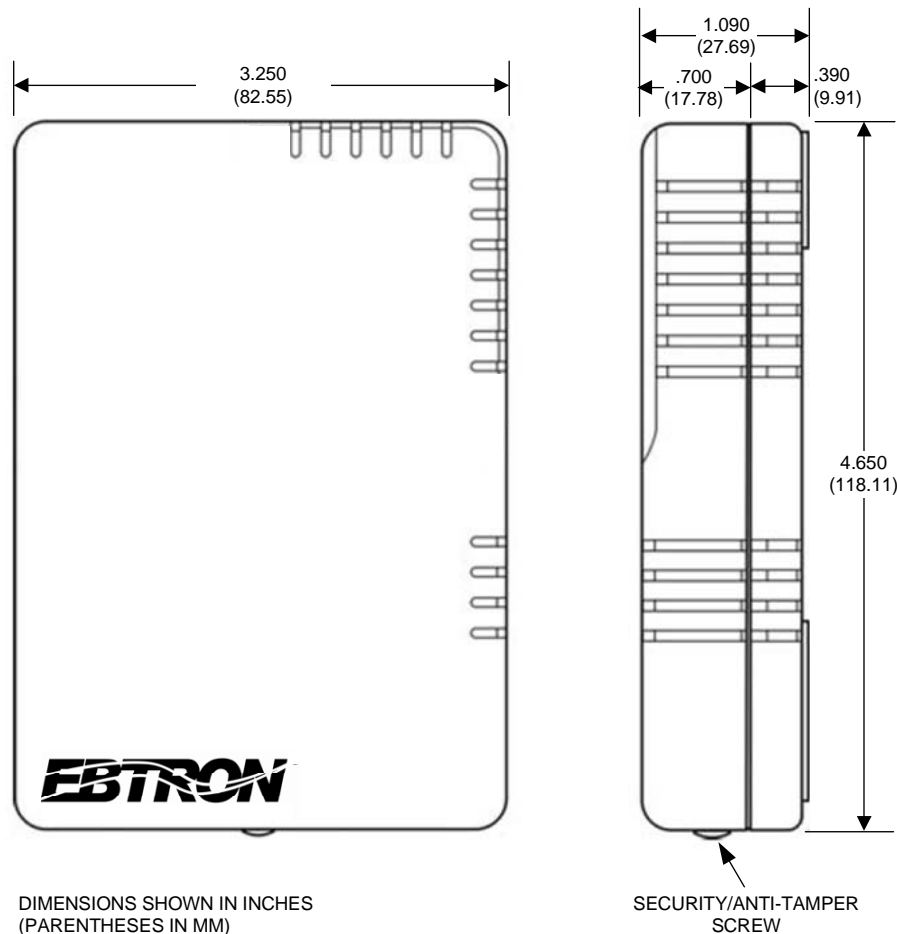


Figure 2. IAQ-100 Outline Dimensions

TM_IAQ-100N_R1A

IAQ-100 INSTALLATION

Read and understand all installation instructions prior to installing the IAQ-100. The IAQ-100 is designed for surface mount installation, or for installation onto a standard (field supplied) single gang electrical junction box. Installation and wiring of the IAQ-100 must be accomplished in accordance with all local electrical and mechanical codes to ensure safety and compliance. Refer to Figure 2 for IAQ-100 outline dimensions, and Figure 3 for mounting locations.

CAUTION



Deactivate 24 VAC power source until all connections to the IAQ-100 are complete.



When multiple devices are powered from a common 24VAC power source, ensure that all devices are wired in phase with 24VAC power at L1, and 24VAC return at L2! Damage will occur to the IAQ-100 and/or other devices if this caution is not observed.



The IAQ-100 contains electrostatic discharge (ESD) sensitive components. To prevent damage, observe ESD precautions when handling the instrument. Failure to comply can result in equipment damage.



The installed location of the IAQ-100 is critical for proper performance. Refer to the previous IAQ-100 PLACEMENT CONSIDERATIONS section of this document for additional recommendations.



Ensure that adequate clearance exists to permit installation and wiring of the IAQ-100, and to allow for access to the board mounted instrument configuration switches.

1. Carefully open the IAQ-100 package and inspect for damage. If any damage is noted, immediately file a claim with carrier.
2. Determine the IAQ-100 installation location as indicated on the engineer's plans, or determine placement using the previous guidelines.
3. Install IAQ-100 wiring to the desired location, observing the previous placement considerations. Wiring may be routed directly through wall for surface mounting of the IAQ-100, or may be brought through a junction box depending upon local requirements. All wiring must be accomplished in accordance with local regulations and national codes.
4. Carefully remove the cover of the IAQ-100. Depress the enclosure tab at the bottom of the enclosure, and swing the cover upward to disengage it from the base. The IAQ-100 includes two mounting screws for standard electrical junction box installations, and one security/tamper resistant screw to secure the cover. After IAQ-100 installation and configuration is complete, this screw may be installed at the bottom of the enclosure to prevent inadvertent or unauthorized opening of the enclosure.
5. Using the IAQ-100 base as a template, mark the location for the wiring pass-through slot and for the mounting screws as shown in Figure 3. For mounting directly to a single-gang electrical junction box, proceed to step 8.
6. Drill holes sized for suitable wall anchors at the mounting locations marked, and install the wall anchors.
7. Drill another hole suitable to pass the IAQ-100 wiring through the wall at the marked wiring pass-through slot location. Pull wiring through hole, and allow 6 inches for wiring of the IAQ-100.
8. Pass IAQ-100 wiring through the rear pass-through opening of the IAQ-100 base and mount the instrument at the desired location using appropriate hardware for the mounting method selected. Refer to the proceeding sections of this document for initial instrument set up and normal operation.

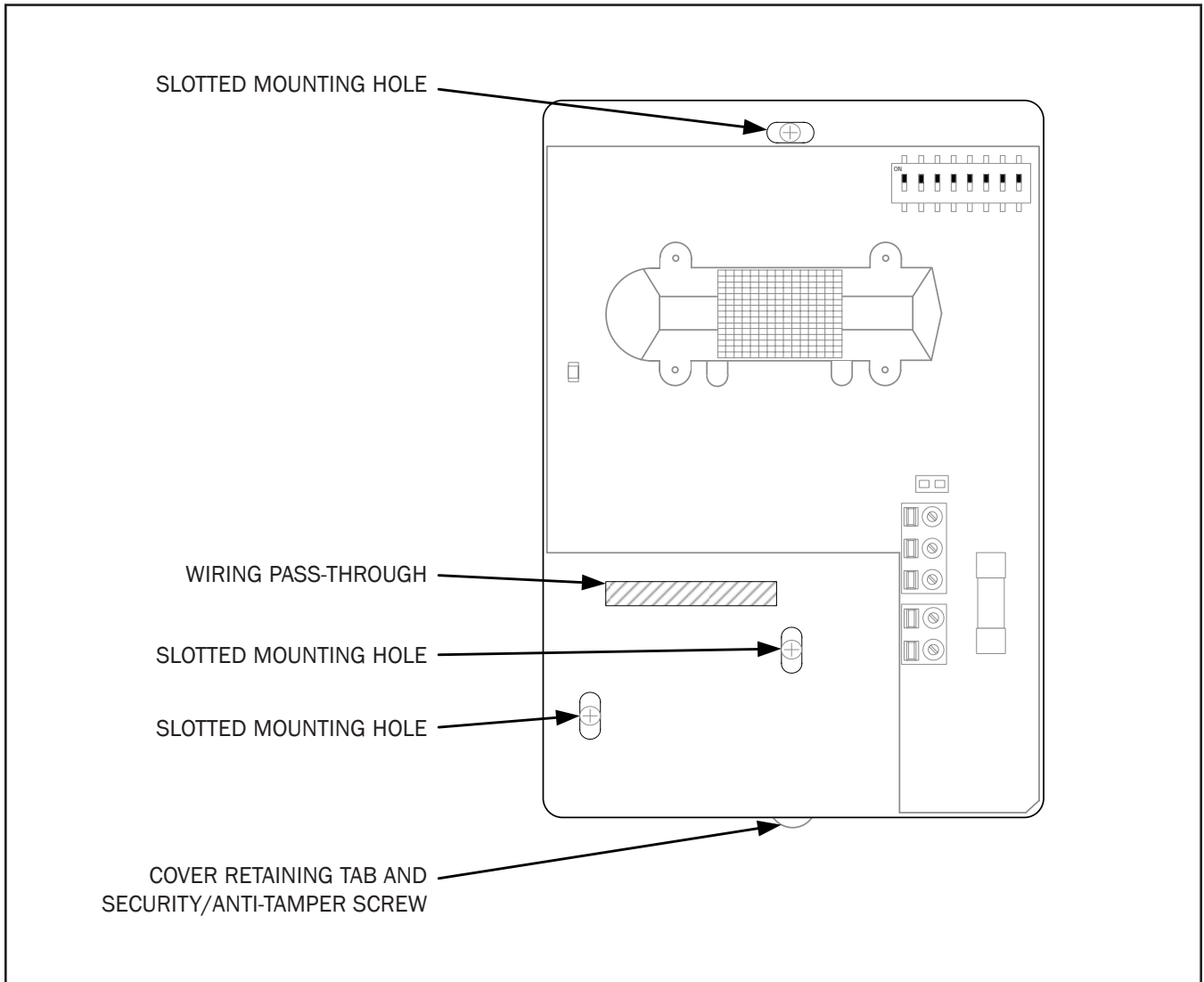





Figure 3. Marking Locations for Installation

TM_IAQ-100N_R1A

IAQ-100 INTERCONNECTIONS

CAUTION

-  Deactivate 24 VAC power source until all connections to the IAQ-100 are complete.
-  When multiple devices are powered from a common 24VAC power source, ensure that all devices are wired in phase with 24VAC power at L1, and 24VAC return at L2! Damage will occur to the IAQ-100 and/or other devices if this caution is not observed.
-  The IAQ-100 contains electrostatic discharge (ESD) sensitive components. Observe ESD precautions when handling the instrument to prevent damage. Failure to comply can result in equipment damage.

All connections are accomplished on the IAQ-100 circuit board at terminal blocks J2 and J3, shown in Figures 4 and 5.

1. Connect 24VAC power to the IAQ-100 at terminal block J3 terminals L1 and L2. When powering multiple network devices from a common source, observe 24VAC phasing (24VAC to L1, return at L2 - see Caution above).
2. The L2 post of the 24VAC J3 terminal block can be connected to earth ground according to the following:

CAUTION

Damage to network devices may occur if L2 of the 24VAC J3 terminal block is connected to earth ground and the RS485 network is not earth grounded.

- a) If the RS485 network connection for the IAQ-100 is ground referenced to earth, the L2 post of the 24VAC J3 terminal block can also be connected to a wire that is ground referenced to earth.
 - b) If the RS485 network connection for the IAQ-100 is not ground referenced to earth, then the L2 post of the 24VAC J3 terminal block must not be connected to a wire ground referenced to earth, as damage to other network devices may occur.
3. Connect the RS485 network connections at terminal block J2 as follows:

J2 Terminal Block	Network Connection
-	NET -
+	NET +
COM	NETWORK COMMON

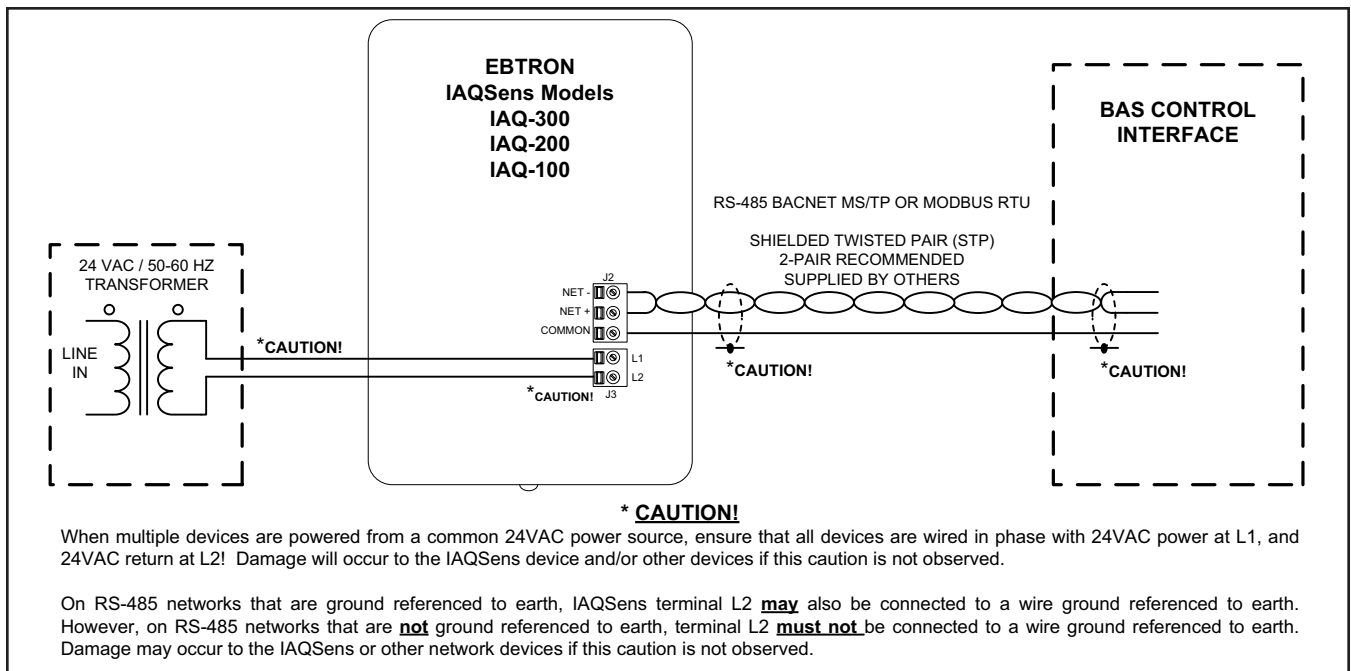


Figure 4. IAQ-100 Typical Wiring Diagram to BAS Control Interface

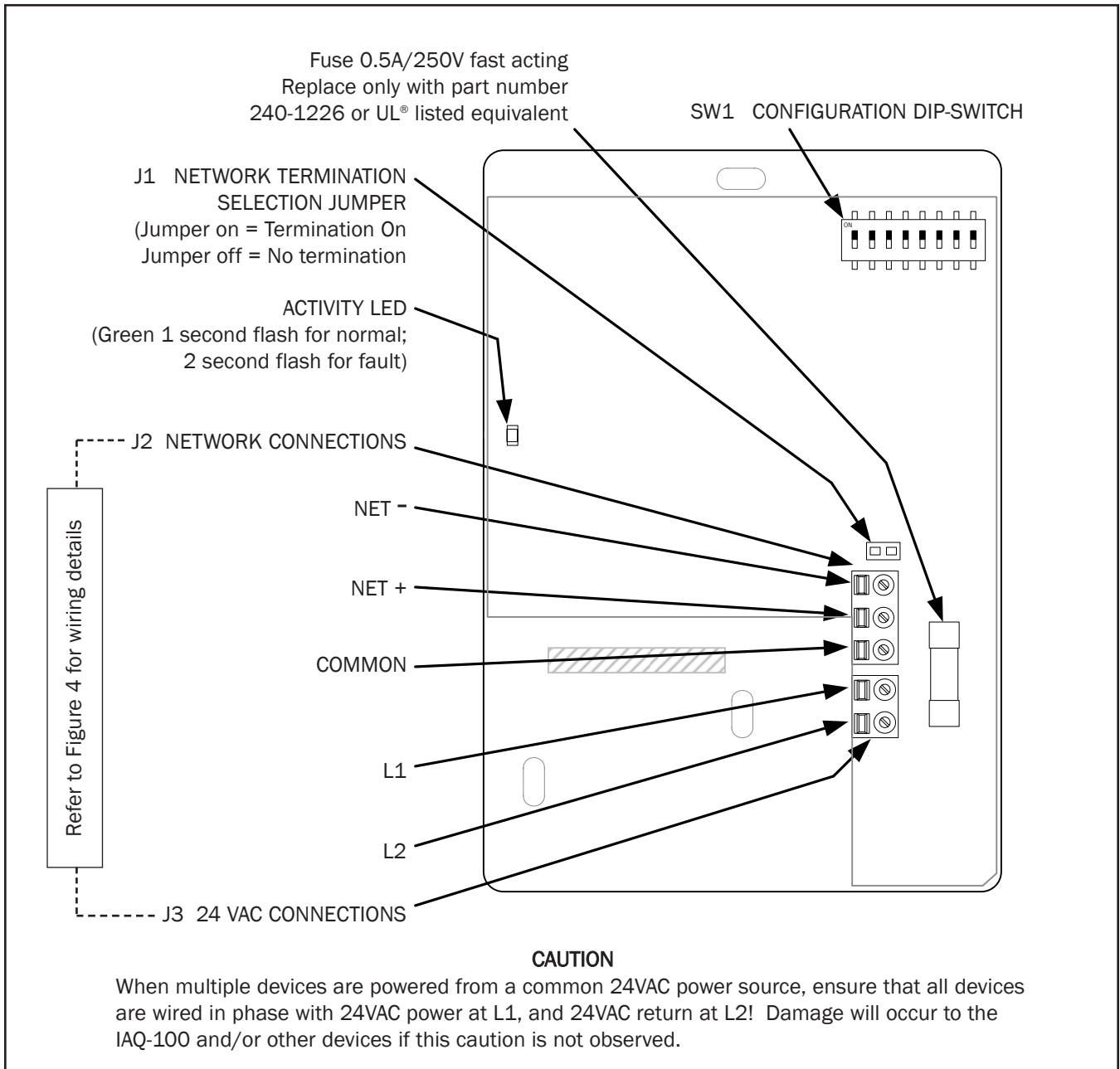


Figure 5. IAQ-100 Interior Detail View

TM_IAQ-100N_REL1A

IAQ-100 SET UP

The IAQ-100 is shipped from the factory for BACnet[®] operation. If Modbus[®] operation is desired, proceed to the **IAQ-100 MODBUS[®] CONFIGURATION** section of this document.

IAQ-100 BACnet[®] CONFIGURATION

The following paragraphs detail the initial set up instructions for the IAQ-100 when using BACnet[®] device operation. Refer to Appendix A - IAQ-100 BACnet[®] Device Operating Parameters for additional detail.

J1 - IAQ-100 RS485 Network Termination Selection

The IAQ-100 includes a network termination selection jumper at J1 (shown in Figure 4) to permit device installation at any point on an RS-485 network. When the IAQ-100 is located at either end of an RS-485 network or segment, it is recommended that the jumper at J1 be installed across both pins of J1. When the IAQ-100 is located at any other point on the RS-485 network, no termination is recommended, and the jumper should not be installed across J1.

Setting IAQ-100 Time

The internal IAQ-100 clock must be set prior to placing the instrument in operation, or in the event of loss of power to the instrument. The IAQ-100 clock is used to establish the lowest CO₂ level.

Note:

When initially powered on (or following an interruption of 24 VAC power), the IAQ-100 internal time is set at 00:00:00 (midnight). The IAQ-100 will begin recording CO₂ PPM levels based on a 24-hour period starting at 00:00:00 and ending at 23:59:59. In order for the CO₂ sensor to record CO₂ levels accurately, the correct time must be entered.

The IAQ-100 time setting must be re-synchronized with the network following a power loss or interruption. For BACnet[®] applications, a timesync command (see Appendix A) must be sent to the IAQ-100 using appropriate network software. For Modbus[®] applications, the current time (in hours and minutes) must be reset using appropriate network software at registers 30013 and 30014 respectively (see Appendix B).

SW1 - IAQ-100 Configuration DIP Switch Settings

The configuration DIP switch contains eight separate dual-position switches in a dual inline package (DIP) as shown in Figures 5 and 6. These switches allow for setting the following IAQ-100 network parameters:

- Setting the MAC Address/Slave ID - using Switches 1 through 7
- Setting BACnet[®] Device Object Instance Number (if the same as the MAC Address) - using Switch 8
- Setting BACnet[®] Baud Rate - using Switches 1 through 4
- Restoring Defaults - using Switches 1-8
- Enabling Modbus[®] network operation - using Switches 1 through 4
- Performing CO₂ Calibration - using Switches 1-8

NOTE:

Prior to initializing the IAQ-100, the MAC address and the baud rate parameters must be assigned.

The following paragraphs provide detail for setting the network parameters using Configuration DIP Switch SW1.

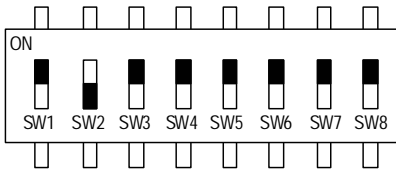


Figure 6. SW1 - Configuration DIP Switch Detail View

Setting the MAC Address

The default IAQ-100 MAC Address is set at the factory for a value of 2. If it is necessary to change the MAC address use switches 1 through 7 of SW1 to set the MAC Address to set any network address between 1 and 127 as follows:

1. Deactivate 24VAC power to the IAQ-100.
2. Set SW1 switches 1-7 to the desired address as shown in Figure 7. Record the new MAC address value for future reference.
3. Reapply 24VAC power to the IAQ-100. After a short delay (approximately 20 seconds) the new MAC address is now active.

MAC ADDRESS SETTINGS

SW1 DIP Switches 1-7

DIP Switch Number and Position								Network Address
1	2	3	4	5	6	7	8	
off	off	off	off	off	off	off	off	0
on	off	off	off	off	off	off	off	1
off	on	off	off	off	off	off	off	2
on	on	off	off	off	off	off	off	3
↓	↓	↓	↓	↓	↓	↓	off	↓
on	on	on	on	on	on	on	off	127

Only SW1 Switches 1 through 7 are used to set the MAC Address - See text for detail.

Figure 7. MAC Address Selection Settings

NOTE:

When IAQ-100 configuration is completed, confirm that the new MAC address has been set correctly using appropriate BACnet[®] software

Changing BACnet[®] Device Object Instance Number

The BACnet[®] Device Object Instance Number is set at the factory to match the factory default address of 2. If necessary, the BACnet[®] Device Object Instance Number can be set to match the user assigned MAC address as follows:

1. Deactivate 24VAC power to the IAQ-100.
2. Slide DIP Switch 8 to the ON position.
3. Restore 24VAC power to the IAQ-100. Allow a short delay (approximately 20 seconds) for the new BACnet[®] Device Object Instance Number to be recognized.
4. Restore DIP Switch 8 to the OFF position.

The BACnet[®] Device Object Instance Number can also be set to another value that does not match the MAC address by using suitable BACnet[®] software to write to the Device Object Identifier property of the Device Object. Refer to Appendix A for additional detail.

Setting the MS/TP Baud Rate

The IAQ-100 is shipped from the factory for BACnet[®] operation with a baud rate of 76,800bps. The baud rate can be changed to 38,400, 19,200 or 9,600bps. Changes can be accomplished remotely over the network using BACnet[®] Analog Value AV3 (Table A3), or locally at the IAQ-100 by using internal DIP Switch SW1 as follows:

1. Record the currently assigned MAC Address (SW1 switches 1 through 7 - See Figure 7).
2. Set the desired baud rate using Address Switches 1 through 4 as shown in Figure 8.

Baud Rate Selection

SW1 DIP Switches 1-4

ADDRESS DIP Switch Number/Position								MS/TP
1	2	3	4	5	6	7	8	Baud Rate
on	off	off	off	X	X	X	X	76,800
off	on	off	off	X	X	X	X	38,400
off	off	on	off	X	X	X	X	19,200
off	off	off	on	X	X	X	X	9,600

Only SW1 Switches 1 through 4 are used to set the Baud Rate - See text for detail.

Figure 8. Baud Rate Selection Settings

3. Set DIP Switch 8 to the ON position. Allow a short delay (approximately 20 seconds) for the new baud rate to be recognized.
4. Restore DIP Switch 8 to the OFF position.
5. Restore DIP switches 1-7 to the MAC address recorded in step 1.

Restoring Factory Default Settings

The following procedure can be used to restore the factory default settings to the IAQ-100:

1. If the current MAC Address will be reused, record the currently assigned address (SW1 switches 1 through 7 - see Figure 7).
2. Deactivate 24VAC power to the IAQ-100.
3. Set all 8 of the DIP switches (1-8) to the ON position.
4. Restore 24VAC power to the IAQ-100. Allow a short delay (approximately 20 seconds) for the factory default settings to be recognized.
5. Deactivate 24VAC power to the IAQ-100.
6. Set all 8 of the DIP switches (1-8) to the OFF position.
7. Restore DIP switches 1-7 to the MAC address recorded in step 1.
8. Restore 24VAC power to the IAQ-100 to return it to service with factory default settings.

IAQ-100 MODBUS[®] CONFIGURATION

The IAQ-100 is preset at the factory for BACnet[®] network operation. To set the IAQ-100 for Modbus[®] network operation, perform the following steps. Refer to Appendix B - IAQ-100 MODBUS[®] Device Operating Parameters for available register values and settings.

1. The default network address is set at the factory for a value of 2. Any value between 1 and 127 can be assigned for the IAQ-100 using Configuration DIP Switch SW1 as outlined in the **Setting the MAC Address** paragraph of this document. If the current network address will be reused, record the current settings of DIP switches 1 through 7.
2. With the IAQ-100 powered on, set Configuration DIP switches 1 through 4 to the ON position.
3. Toggle DIP switch 8 to the ON position for 5 seconds, and then back to OFF.
4. Restore DIP switches 1-7 to the network address recorded in step 1.
5. The IAQ-100 is now set for Modbus[®] operation with a baud rate of 19,200bps. If necessary, the baud rate can be changed as outlined previously in the **Setting the Baud Rate** paragraph of this document.
6. Configure the necessary Modbus[®] register values as outlined in Appendix B.

IAQ-100 START-UP

The following procedure is intended for initial start up of the instrument.

1. Confirm that the IAQ-100 is installed and wired properly as outlined in **IAQ-100 INSTALLATION** and **IAQ-100 INTERCONNECTIONS** sections of this document.
2. Confirm that network termination, address, baud rate and device object instance number (as applicable) have all been properly set as outlined previously in the **IAQ-100 BACnet[®] CONFIGURATION** or **IAQ-100 MODBUS[®] CONFIGURATION** sections of this document.
3. Apply 24VAC power to the IAQ-100. After a brief initialization (approximately 20 seconds) observe that the green Activity LED flashes on for 1 second, then OFF for one second indicating normal operation.
4. Install IAQ-100 cover by engaging the small molded hinges at the top of the cover with the base, and then gently swinging the cover downward into the closed position. The cover will latch via the tab located at the bottom of the enclosure. If required, install Security/Tamper resist screw at the bottom of the IAQ-100 enclosure (as shown in Figure 3).
5. Using suitable software, set current IAQ-100 Time (refer to Appendices A and B for BACnet[®] and Modbus[®] network details).
6. Confirm network device settings and operation using Appendices A and B for BACnet[®] and Modbus[®] applications respectively.
7. The IAQ-100 is now ready for normal network operation.

IAQ-100 NORMAL OPERATION

During normal operation of the IAQ-100, no further user activity is required.

The IAQ-100 features a green "Activity" light emitting diode (LED - see Figure 5) that flashes to indicate the operating status of the instrument. Following application of 24VAC power and a brief instrument initialization of approximately 20 seconds, the LED will begin to flash.

During normal IAQ-100 operation the Activity LED will continuously flash ON for 1 second, then OFF for 1 second.

During IAQ-100 fault conditions, the LED will continuously flash ON for 2 seconds, and then OFF for 2 seconds.

Refer to Appendix A and Appendix B for BACnet[®] and Modbus[®] device network values available during operation of the IAQ-100.

IAQ-100 MAINTENANCE

In most HVAC environments, periodic maintenance and calibration are not required or recommended. If calibration of the CO₂ sensor is required, refer to the applicable procedures that follow for BACnet[®] or Modbus[®] CO₂ Sensor Calibration.

The IAQ-100 features a patented ABC Logic™ (Automatic Background Calibration) CO₂ self-calibration system that virtually eliminates the need for manual calibration in applications where indoor CO₂ level drop to outside ambient conditions (approximately 400 ppm) at least three times in a 14 day period, typically during unoccupied periods. ABC Logic™ ensures that the CO₂ sensor will typically reach its operational accuracy after 25 hours of continuous operation at a condition that it was exposed to ambient reference levels of air at 400 ppm ±10 ppm CO₂. With ABC Logic enabled, the CO₂ sensor will perform to specified accuracy, provided it is exposed to the reference value at least four times in 21 days, and the reference value is the lowest concentration to which the sensor is exposed. All IAQ-100 sensors are set at the factory with the ABC Logic™ self calibration feature turned ON. In facilities that are continuously occupied for 24 hours per day, or where there could be significant sources of non-occupant related CO₂ such as greenhouses, breweries and other industrial and food processing applications, the ABC Logic™ should be turned OFF. Refer to Appendices A and B for the specific BACnet[®] and Modbus[®] network command options to disable the ABC Logic feature.

BACnet[®] CO₂ Sensor Calibration

It is not necessary to recalibrate the CO₂ sensor after installation. The ABC Logic algorithm will begin recording CO₂ data immediately, and after 24 hours will adjust sensor measurements to ensure accurate and consistent readings. If desired, the CO₂ sensor may be calibrated at a single point using a pre-mixed reference CO₂ gas, or using ambient air with CO₂ measured by a reference sensor at CO₂ levels of 0-10,000PPM. Perform calibration in a stable room temperature environment where there are no significant air drafts or temperature variations during the procedure.

CAUTION

A suitable pressure regulator must be provided to ensure that reference gas supply is maintained at 7 PSI. Damage to the CO₂ sensor will occur if excessive pressure is applied to the sensor ports.

1. Ensure that 24VAC power is applied to the IAQ-100 during calibration of the instrument.
2. Set the reference gas regulator adjustment knob to the fully OFF position.
3. Remove the port covers from the IAQ-100 CO₂ calibration ports (Figure 9) and attach suitable tubing from the reference gas regulator to either port.
4. Check all reference gas connections to ensure there are no leaks, and no kinks in the tubing to the IAQ-100 port.
5. Record the current network address of the IAQ-100 (SW1 DIP switches 1-7).
6. Apply 24VAC power to the IAQ-100 and allow it to stabilize.
7. Set DIP switches 1-4 to OFF, and switches 5-8 to the ON position. The IAQ-100 is now in Calibration mode.
8. Set reference gas supply flow ON and ensure that pressure of 7PSI is applied to the IAQ-100 sensor port.
9. Allow the reference gas to flow for 1 minute.
10. Using BACnet[®] software, write the value of the reference gas CO₂ level in PPM to AV4 (Single Point PPM).
11. During the next 3 minutes, as the IAQ-100 continues calibration, observe the IAQ-100 CO₂ AV4 value as follows:
 - a) An AV4 value of -1 value indicates that the new calibration value has been successfully written.
 - b) An AV4 value of -2 value indicates that calibration has been accomplished successfully.
 - c) An AV4 value of -3 value indicates that calibration was not successful. If this occurs, restart the calibration procedure at step 9.
12. After the calibration has been completed successfully, restore the network address settings at DIP switches 1-7 to the values recorded in Step 5, and then, set switch 8 to the OFF position to restore IAQ-100 normal operation.
13. Re-install the port covers on the IAQ-100 CO₂ sensor module.

This completes BACnet[®] CO₂ sensor calibration for the IAQ-100.

Modbus[®] CO₂ Sensor Calibration

Calibration of the CO₂ sensor in a Modbus[®] network environment is the same as previously described for BACnet[®], however use suitable Modbus[®] software to permit access and modification of register 30011 for the CO₂ Sensor Calibration 2-byte register value.

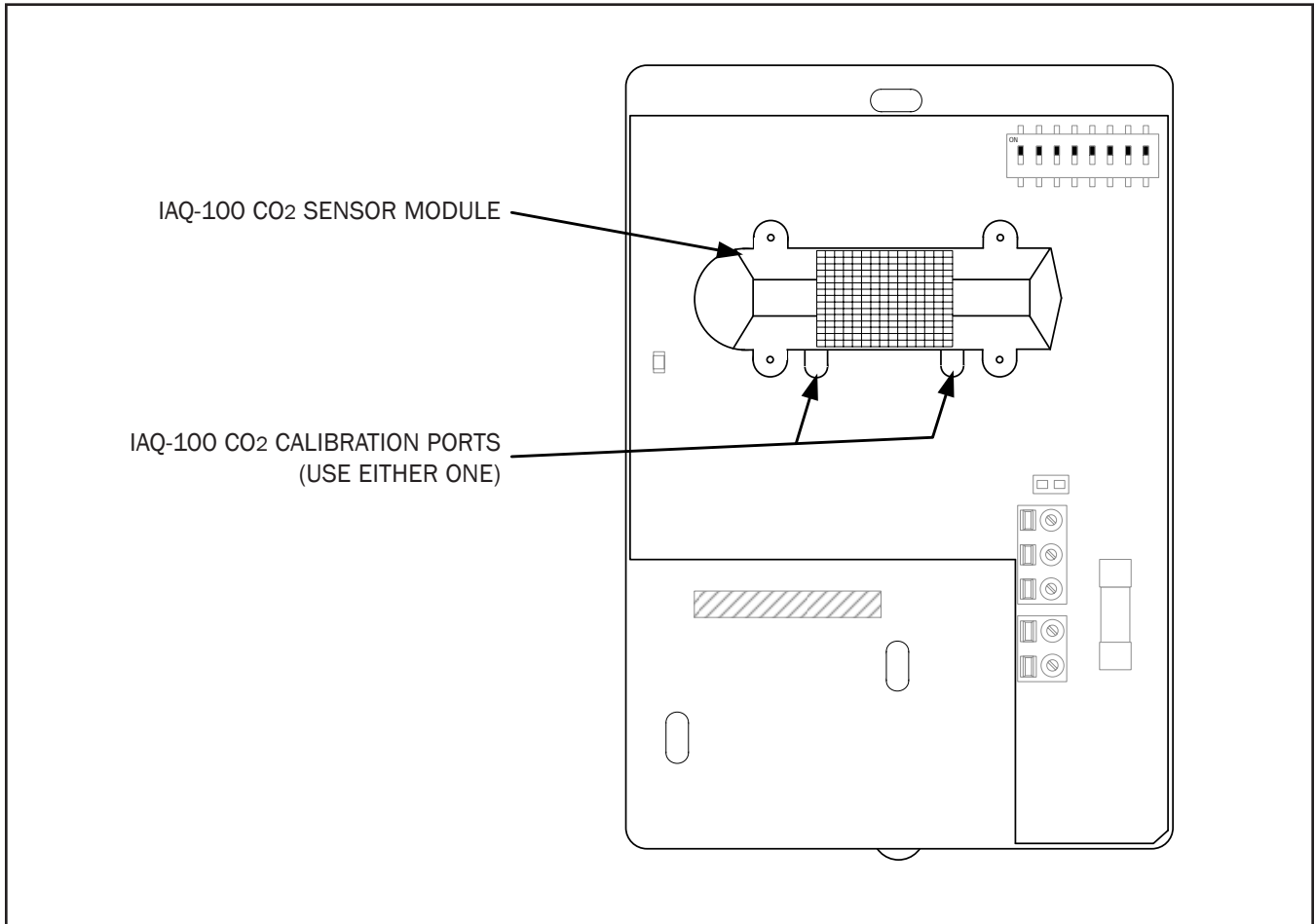


Figure 9. IAQ-100 CO₂ Calibration Ports

BACnet[®] NETWORK DEVICE OPERATING PARAMETERS

Appendix A contains a detailed listing of all IAQ-100 BACnet[®] network variables and values.

MODBUS[®] NETWORK DEVICE OPERATING PARAMETERS

Appendix B contains a detailed listing of all IAQ-100 Modbus[®] network variables and values.

EBTRON STANDARD LIMITED PARTS WARRANTY

If any **EBTRON** product fails within 36 months from shipment (12 months for the CO₂ module), **EBTRON** will repair/replace the device free of charge as described in the company's warranty contained in **EBTRON**'s Terms and Conditions of Sale. Defective equipment shall be shipped back to **EBTRON**, freight pre-paid, for analysis.

TM_IAQ-100N_REL1A

APPENDIX A - BACnet[®] NETWORK DEVICE OPERATING PARAMETERS

IAQ-100 BACNET[®] OVERVIEW

The BACnet[®] objects associated with the IAQ-100 permit display of current values, device configuration, and calibration of the CO₂ sensor. The BACnet[®] object categories for the IAQ-100 (below) are described in the following paragraphs.

- BACnet[®] Device Object
- BACnet[®] Analog Input (AI) Objects
- BACnet[®] Analog Value (AV) Objects
- BACnet[®] Binary Value Objects

BACnet[®] Device Object

The device object allows configuration of the IAQ-100. Object properties can be specified as shown in Table A1.

Table A1. BACnet[®] Device Object

BACnet [®] Object	Description
IAQ-100	This object allows the operator to specify the following: Device name Device location Time and Date Universal Time Coordinated Offset APDU properties MS/TP properties Object Identifier

BACnet[®] Analog Input (AI) Objects

The analog input BACnet[®] objects permit display of the present values for the items detailed in Table A2. In addition, analog input change of value (AI COV) subscriptions for these objects can be configured as follows:

AI COV: A confirmed or unconfirmed COV (Change of Value) notification can be subscribed to for each analog input object (below). The COV increment value can be set through each AI.

Table A2. BACnet[®] Analog Input (AI) Objects

BACnet [®] Object	Default Present-Value	Range	Description
CO2 PPM (AI1)	Display Only	NA	Displays the present value of CO ₂ in parts per million.
Lowest PPM (AI2)	Display Only	NA	Displays the lowest CO ₂ PPM value for the past 24 hour period. Any value written to this object will reset the Lowest PPM value to the present CO ₂ reading.

TM_IAQ-100-N_P1A

BACnet[®] Analog Value Objects

The analog value BACnet[®] objects allow for configuration of variables that affect instrument operation and individual sensor measurement accuracy.

Table A3. BACnet[®] Analog Value Objects

BACnet [®] Object	Default Present-Value	Range	Description
Elevation (AV1)	0 feet	0-5000 feet	This object allows specifying the elevation that the IAQ-100 is installed in feet above sea level.
CO2 Sample Rate (AV2)	10 seconds	1-600 seconds	This register specifies how often the CO ₂ sensor is sampled in seconds.
Baud Rate (AV3)	76,800	Optional	This object allows specifying RS485 Baud rate.
Single Point PPM (AV4)	-1	0 to 10000 ppm	This object allows calibration of the CO ₂ sensor. A '-1' value indicates that the new calibration data was successfully written. A '-2' value indicates that calibration was accomplished successfully. A '-3' value indicates that calibration was not successful.
ABC Logic Status (AV5)	1	Either 1 or 0	Writing a '1' to this will turn the ABC Logic™ on, writing a '0' will turn it off. This data is non-volatile and saved by the CO ₂ module.
CO2 Gain (AV6)	1	0 - 100	This object allows specifying a gain to the raw CO ₂ sensor reading or to the EBTRON factory calibration gain adjustment setting.
CO2 Offset (AV7)	0	+/-10,000	This object allows specifying an offset to raw CO ₂ sensor reading or to the EBTRON factory calibration offset adjustment setting.

Table A4. BACnet[®] Binary Value Objects

BACnet [®] Object	Default Present-Value	Range	Description
Factory CO ₂ Gain/Offset Status (BV1)	Active	Active/ Inactive	When this object is set to Active, the CO ₂ sensor will operate with the EBTRON factory calibration values for gain and offset.

TM_IAQ-100N_REL1A

BACnet[®] Binary Value Objects

The binary value BACnet[®] objects allow for application of the EBTRON factory calibration values for individual sensor gain and offset factors.

APPENDIX B - MODBUS[®] NETWORK DEVICE OPERATING PARAMETERS

IAQ-100 Modbus[®] Register Overview

The Modbus[®] registers associated with the IAQ-100 permit display of current values, device configuration, and calibration of the CO₂ sensor. They are grouped into the following categories:

Table B1. IAQ-100 Supported Standard Modbus[®] Command Functions

Command	Description
04	Read input registers (refer to Tables B2 through B4).
06	Write registers (refer to Tables B2 through B4).
16	Write multiple registers (refer to Tables B2 through B4).

Read-only registers consisting of three 4-byte floats (high word/low word) detailed in Table B2.
Read/write reg-

isters consisting of seven 4-byte floats (high word/low word) detailed in Table B3.

Read/write 2-byte registers detailed in Table B4.

Table B1 identifies the IAQ-100 supported standard Modbus[®] command functions.

Table B2. Modbus[®] 4-Byte Floats - Read-Only Properties

Name	Address	Default Register Value	Range	Description
Present CO2 PPM	30001 - 30002	Display Only	NA	These paired registers contain the present CO ₂ parts per million.

Table B3. Modbus[®] 4-Byte Floats - Read/Write Properties

Name	Address	Default Register Value	Range	Description
Lowest CO2PPM	30003 - 30004	Present Value	Any Value	These paired registers allow the display of (or change to) the Lowest CO ₂ PPM value in the past 24 hour period. Any value written to this object will reset the Lowest CO ₂ PPM to the Present CO ₂ PPM value.
CO ₂ Gain	30005 - 30006	1	0 - 100	These paired registers allow specifying a gain value to the raw CO ₂ sensor reading or to the EBTRON factory gain adjustment setting.
CO ₂ Offset	30007 - 30008	0	+/-10,000	These paired registers allow specifying an offset value to the raw CO ₂ sensor reading or to the EBTRON factory offset adjustment setting.

TM IAQ-100-N P1A

Modbus[®] 4-Byte Floats - Read Only Properties

Table B4. Modbus[®] 2-Byte Registers - Read/Write Properties

Name	Address	Default Register Value	Range	Description
Elevation of IAQ-100	30009	0 feet	0-5000 feet	This register allows specifying the elevation that the IAQ-100 is installed in feet above sea level.
CO2 Sample Rate	30010	10 seconds	1-600 seconds	This register specifies how often the CO ₂ sensor is sampled in seconds.
CO2 Sensor Calibration	30011	-1	0 to 10000 ppm	This object allows calibration of the CO ₂ sensor. A '-1' value indicates that the new calibration data was successfully written. A '-2' value indicates that calibration was accomplished successfully. A '-3' value indicates that calibration was not successful.
CO2 Sensor ABC Logic Disable	30012	1	Either 1 or 0	Writing a 1 to this register will turn the ABC Logic™ on; writing a 0 will turn it off. This data is non-volatile and is saved by the CO ₂ module.
IAQ-100 Time: Hours	30013	0	0 - 23	This register allows setting the current hour of time.
IAQ-100 Time: Minutes	30014	0	0 - 59	This register allows setting the current minute of time.
Float Invert	30015	0	0 or 1	This register allows change to the order of register that is read or written first in the 4-byte floats. When this register is set to 0 (default) the high word is read or written first; when it is set to 1 the low word is read or written first.
Factory CO2 Gain/Offset Status	30016	1	1 or 0	When this register is set to 1 (default) the CO ₂ sensor will operate with the EBTRON factory gain and offset adjustment. When this register is set to 0, the CO ₂ sensor will operate without the EBTRON factory gain and offset adjustment.

The 4-byte floats with read only properties permit display of the sensor values in the IAQ-100 as detailed in Table B2.

Modbus[®] 4-Byte Floats - Read/Write Properties

The 4-byte floats with read and write properties detailed in Table B3 allow the configuration of gain and offset variables that affect the measurement accuracy of the sensor.

Modbus[®] 2-Byte Registers - Read/Write Properties

The 2-byte registers with read and write properties detailed in Table B4 allow configuration of the variables that affect the accuracy of the sensor.

