

Accessories for Thermal Dispersion Airflow/Temperature Measurement Device (ATMD)



ALRT-100 OVERVIEW

EBTRON introduces the ALRT-100, a high quality, economical alarm solution designed for installation in new or existing HVAC applications where an alarm feature is necessary. The ALRT-100 includes jumpers to configure device input signal and for selection of alarm output type. The alarm output can be set up as dry relay contacts (normally open, close on alarm, rated 30VDC/24VAC @ 3 amp maximum) or as an external LED driver (15mA typical). Alarm threshold is fixed at 3.0VDC (0-5/0-10VDC inputs), or 6mA (4-20mA input). The analog input will accept 0-5VDC, 0-10VDC or 4-20 mA signals for communication with virtually all modern controls and building automation systems (BAS).

APPLICATIONS

- Add alarm features for new and retrofit non-alarmed analog device applications towards the acquisition of LEED® credits for Energy and Atmosphere and Indoor Environmental Quality.
- Use as local alarm or remote alarm (via dry relay contact closure/open).
- Apply as an event notification or control interface to drive external components when alarm set points are exceeded.

SYSTEM FEATURES

- Versatile analog input capabilities ensure compatibility with analog devices using 0-5VDC, 0-10VDC and 4-20mA signal formats.
- Alarm outputs can be configured as dry relay contacts or as a direct alarm LED driver.
- Jumpers allow for simple field configuration and alarm set up.

ALRT-100 SPECIFICATIONS

System

Alarm Modes:Local and remote analog alarm active when alarm threshold is exceeded
 Local Alarm:Front panel Alarm indicator
 Remote Alarm Output:N.O. Dry Relay Contacts
 Operating Temperature:-20 to 120°F [-28.9 to 48.9°C]
 Operating Humidity:0 to 99% non-condensing; Instrument must be protected from exposure to precipitation
 Power Requirements:22.8-28.8VAC, 2VA maximum

Analog Input/Output Interface

Analog Input:Selectable 0-5/0-10VDC or 4-20 mA
 Alarm Threshold:Fixed 3.0 VDC / 6.0mA
 Alarm Types:1. N.O. relay contacts, 30VDC/24VAC @ 3amps max.; or as direct LED drive (15 mA typical)
 2. Front panel red LED indicator indicating alarm activity
 Wiring Interface:Rugged insulated plug-in terminal blocks for simple field wiring

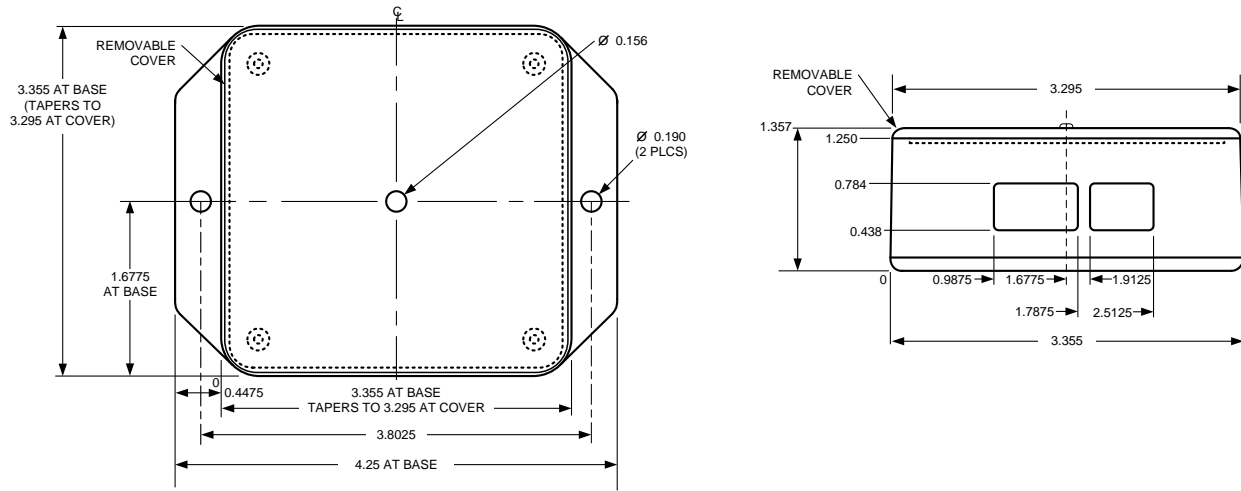
Power Supply

Power Supply:Internal power supply with integral short circuit and thermal overload protection

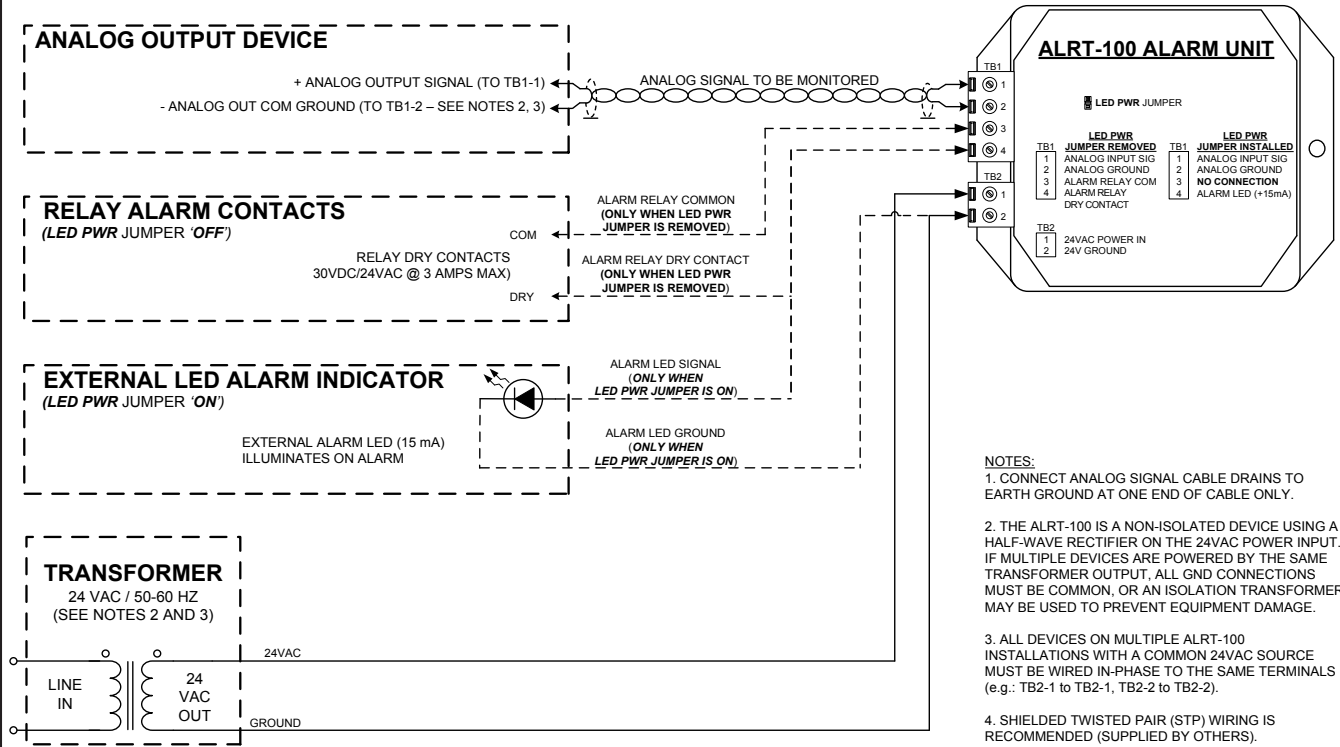
Enclosure

Enclosure Material:Durable electronic housing with removable cover
 Enclosure Rating:UL94-5VA
 Enclosure Dimensions:3.355 x 3.355 x 1.357 in (HxWxD) [85.22 x 85.22 x 34.47 mm], with two integral 0.4475 [11.37 mm] mounting flanges. Overall width with flanges 4.25 [107.95 mm]
 Mounting:Two 0.190 in [4.83 mm] diameter holes on left/right mounting flanges

ALRT-100 MECHANICAL DETAIL



ALRT-100 TYPICAL WIRING DIAGRAM



TS_ALRT-100_R1A